

Water Field Asia Co., Ltd.

623 Soi On-nut 70/1 sub 2, Pravet Sub-District,

Pravet District, Bangkok, 10250 Thailand

Tel. +662-320-1994 Fax. +662-320-1995

E-mail: info@waterfieldasia.com

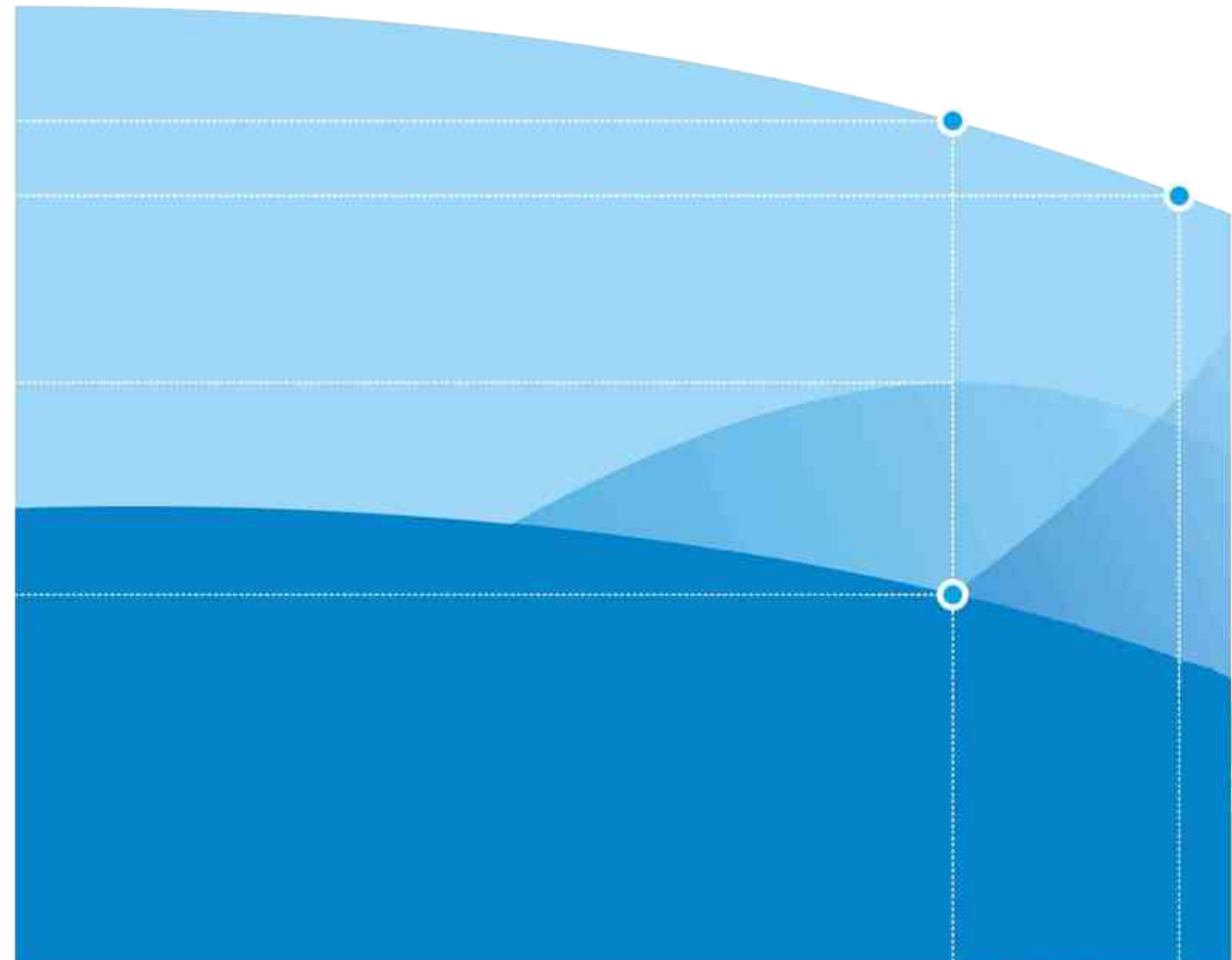
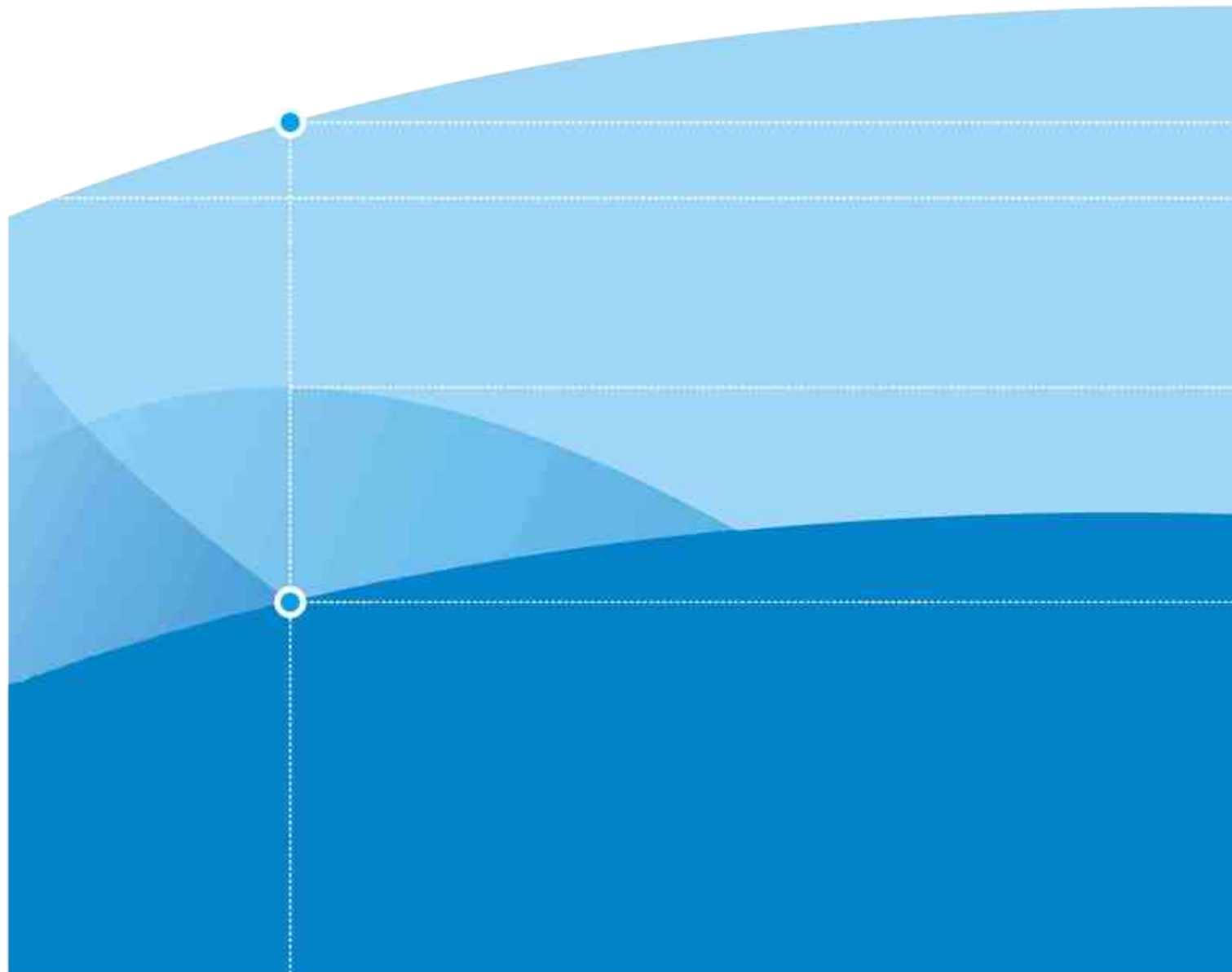
www.waterfieldasia.com

www.facebook.com/waterfieldasia



ALLFLO

Centrifugal Pumps



Contents

01~05



AU series End Suction Centrifugal Pump

DN	mm	32 - 300
Q	l/s	0.5~440
H	m	2 - 152
T	°C	-10~105
n	r. min	1450 - 3500
PN	MPa	≤1.6

06~16



AUM series Monoblock End Suction Pump

DN	mm	32 - 150
Q	l/s	0.5~195
H	m	2 - 152
T	°C	-10~105
n	r. min	1450 - 3500
PN	MPa	≤1.6

17~23



AG series Vertical In-line Centrifugal Pump

DN	mm	40 - 200
Q	l/s	0.5~167
H	m	2 - 155
T	°C	-10~105
n	r. min	1450 - 3500
PN	MPa	≤1.6

24~28



AS series Double-suction Split-casing Pump

DN	mm	80 - 350
Q	l/s	2~1050
H	m	2 - 190
T	°C	-10~105
n	r. min	1450 - 3500
PN	MPa	≤2.5

29~36



AJ,AJM series Self-priming Sewage Pump

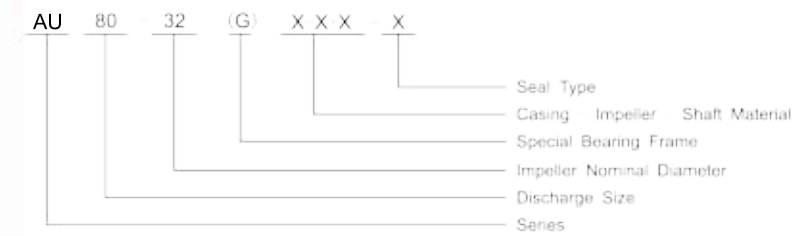
DN	mm	40 - 200
Q	l/s	2~130
H	m	4 - 60
T	°C	-10~105
n	r. min	1450 - 3500
PN	MPa	≤0.6



○ Description & Features

ALLFLO AU series end suction centrifugal pumps are designed complying to BS EN733 / DIN24255 standard. This series of pumps have great advantages in interchangeable parts, high quality and low cost, wide applications in plants, mines, city water supplies, fire-fighting systems, air-condition systems and irrigation.

○ Model Instruction



○ Material Code

- Bearing Frame Code
 - H Bearing frame for double row bearing
 - G Bigger shaft and bearing frame
 - Default Standard
- Seal Type
 - M Mechanical Seal
 - P Gland Packing
- C Cast Iron
- Q Ductile Iron
- B Bronze
- S ASTM 420
- 45 ASTM 1045
- S304 ASTM 304
- S316 ASTM 316

○ Design & Structure

Design	Performance and dimensions referring to the European standard BS EN733 / DIN24255
Structure	Horizontal, Axial End-Suction, Single-Stage, Single-Suction, Volute Casing, Back pull-out
DN (mm)	32 - 300
Flange	ISO7005.2 DIN2501 PN16 GB / T17241.6 PN1.6

○ Material

Part	Standard Material	Options on request
Casing	Cast Iron	Ductile Iron / ASTM304 / ASTM316
Impeller	Bronze	Cast Iron / ASTM304 / ASTM316
Shaft	ASTM420	ASTM304 / ASTM316 / ASTM1045
Shaft Seal	Mechanical Seal	Gland Packing

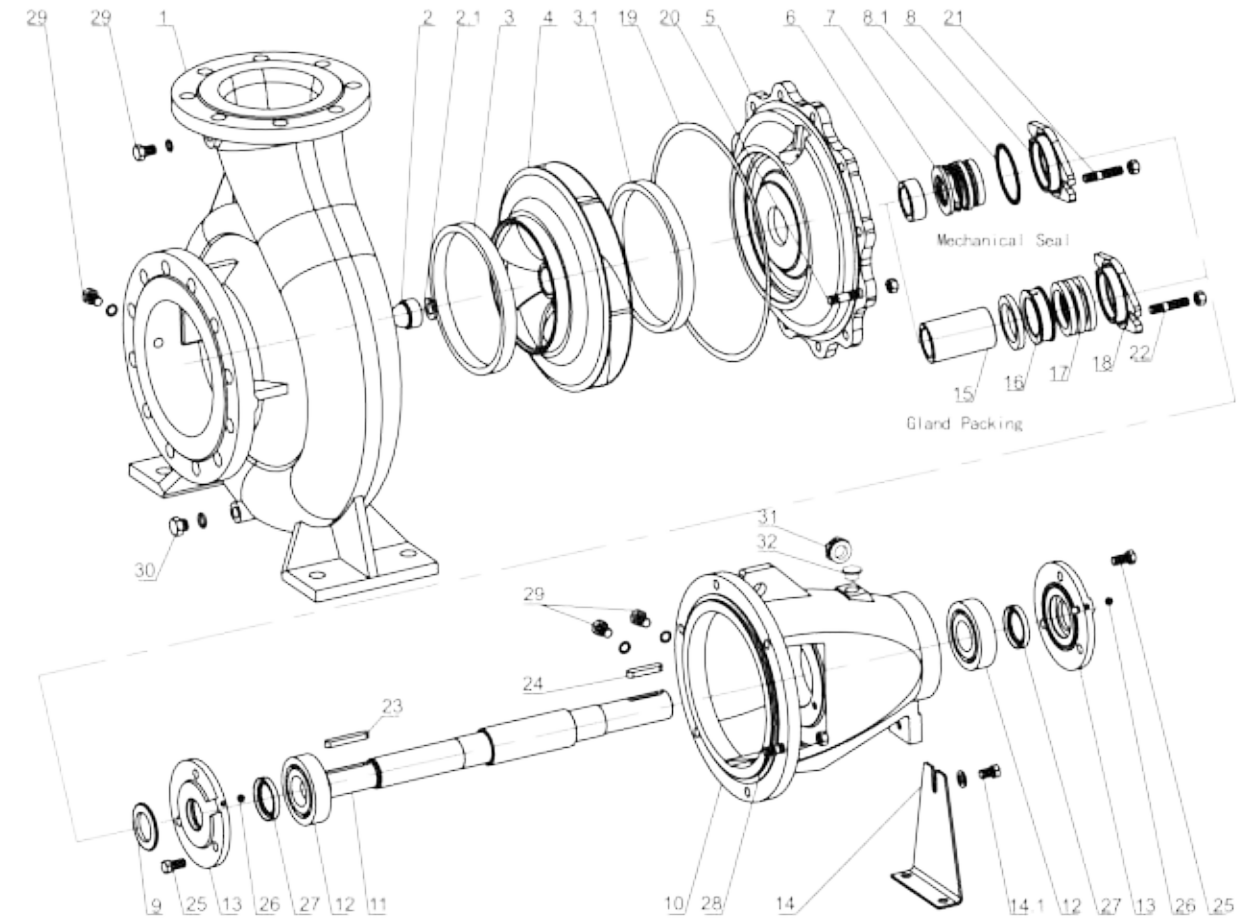
○ Operating Data

Flow Rate(Q)	0.5-440 l/s
Head(H)	2-152 m
Speed	1450 or 2900 rpm (50Hz) / 1750 or 3500 rpm (60Hz)
Max Temperature	105 °C
Working Pressure	1.0 MPa standard, 1.6 MPa on request
Conveying Medium	Clean water or liquids similar to clean water in physical property

○ Applications

- Heating, Ventilation and Air Conditioning
- Fire Protection and Fire Fighting
- Water Circulation
- Liquid Transfer
- Irrigation
- Cooling
- Plants
- Mines

○ AU Series Explode View & List of Parts



Code	Part Name
1	Casing
2	Impeller Nut
2.1	Lock Washer
3	Wear Ring (Front)
3.1	Wear Ring (Back)
4	Impeller
5	Casing Cover
6	Shaft Spacer
7	Mech Seal
8	Seal Cover
8.1	O-ring
9	Rubber Slinger
10	Bearing Frame

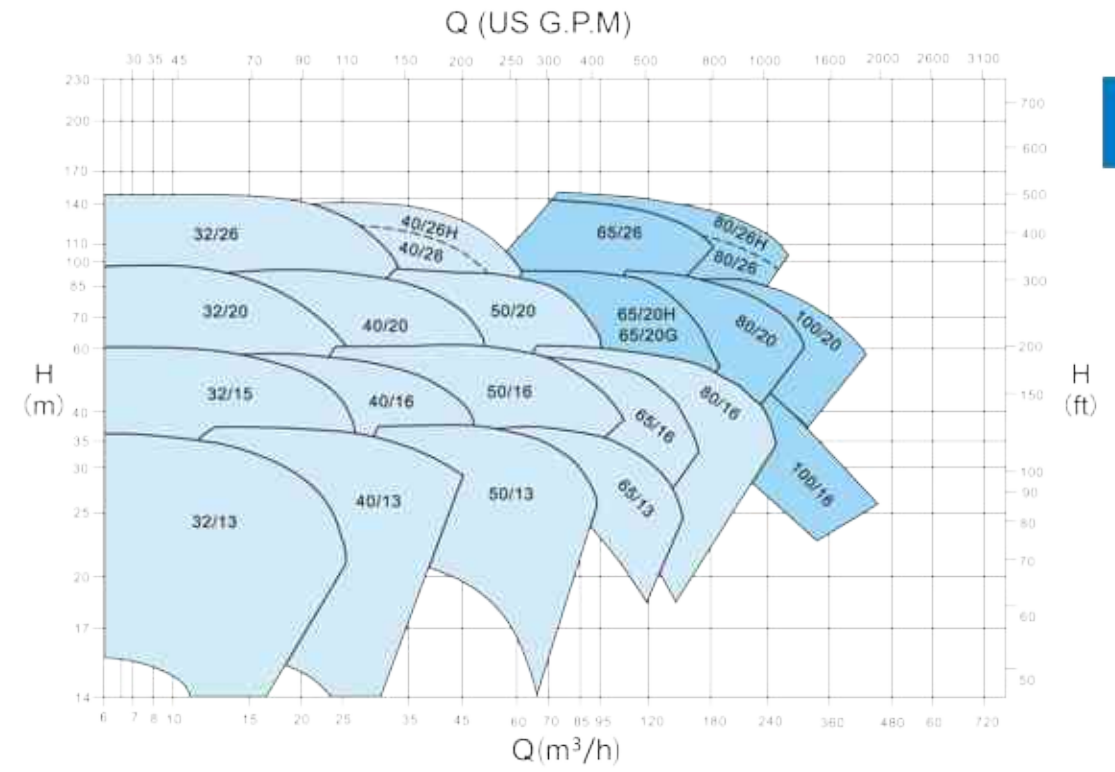
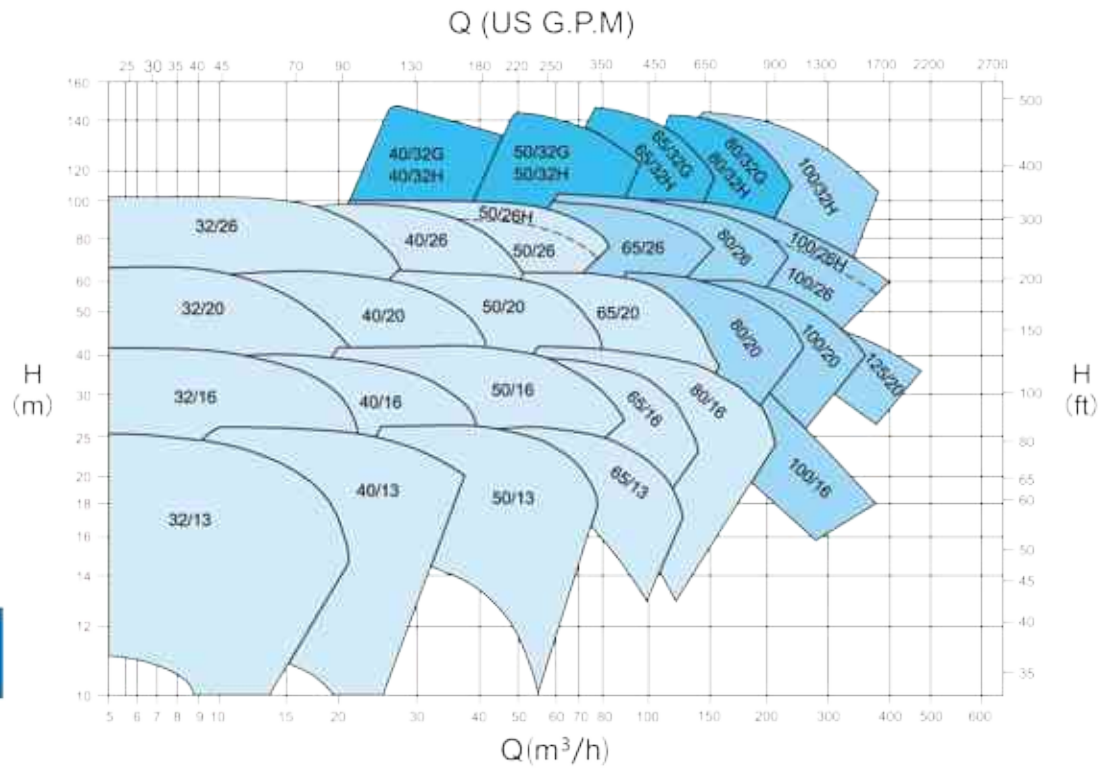
Code	Part Name
11	Shaft
12	Bearing
13	Bearing Cover
14	Support Foot
14.1	Bolt & Nut
15	Packing Sleeve
16	Packing Seal Cage
17	Gland Packing
18	Gland Cover
19	Casing Gasket
20	Stud & Nut
21	Stud & Nut

Code	Part Name
22	Stud & Nut
23	Key
24	Key
25	Screw Bolt
26	Oil Nipple
27	Felting
27	Oil Seal
28	Stud & Nut
29	Plug & Washer
30	Plug & Washer
31	Oil Scale
32	Oil Cover



Field Chart AU series (50Hz)

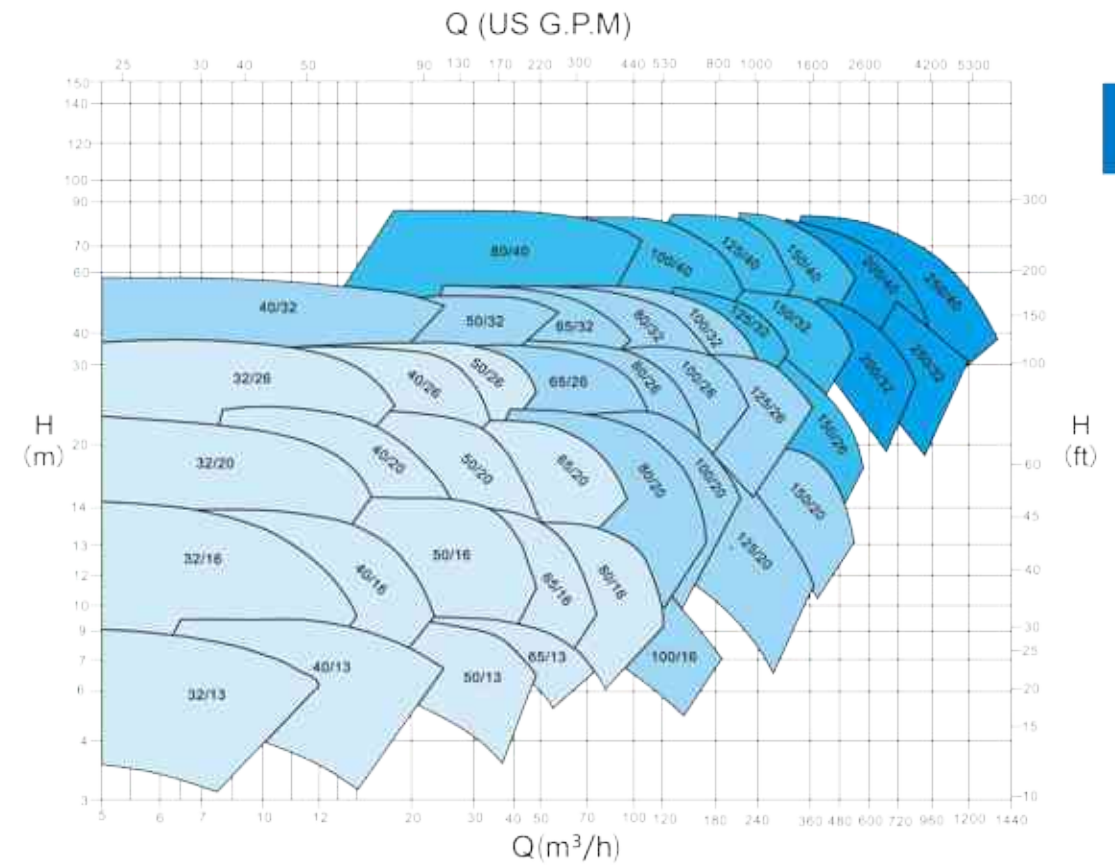
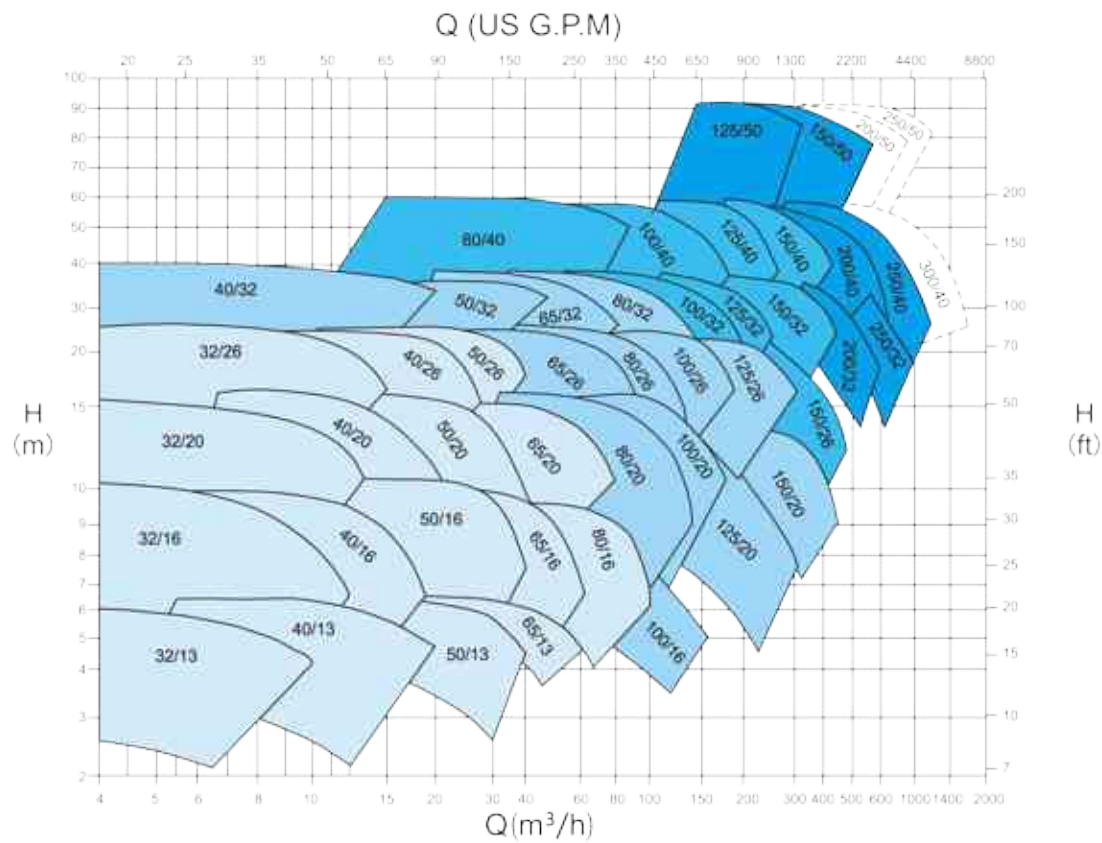
Field Chart AU series (60Hz)



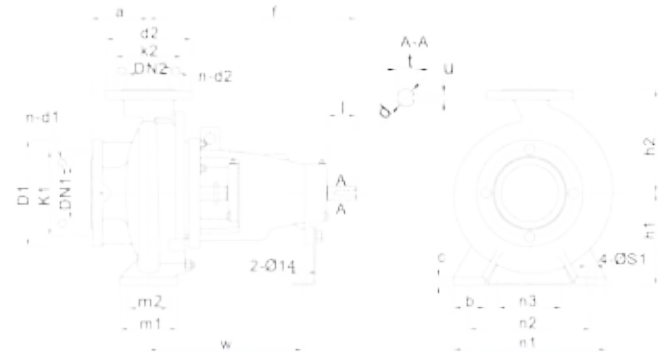
3500rpm

2900rpm

1750rpm



1450rpm



○ AU Installation Dimensions

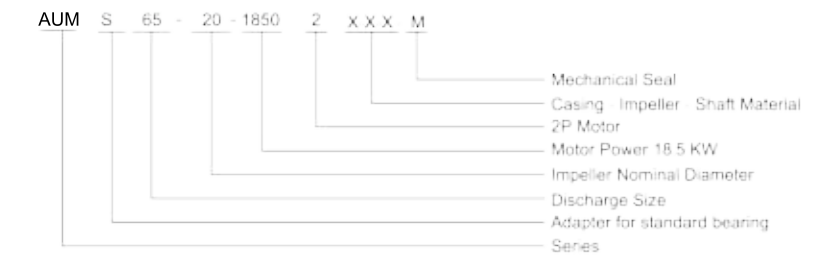
NO	Model	Bearing Inside Dimension	DN2	DN1	a	f	h1	b2	b	c	n3	m1	m2	n1	e2	S1	w	d	l	l	u													
1	AU32/13	25	32	50	80	360	112	140	50	100	100	70	190	140	14	267	24	50	27	8														
2	AU32/16						132	160														190	140											
3	AU32/20						160	180														240	190											
4	AU32/26	40	40	80	360	180	225	65	14	110	125	95	320	250	14	342	32	80	35	10														
5	AU40/13					112	140	210														160												
6	AU40/16					132	160	240														190												
7	AU40/20	35	40	100	360	160	180	50	14	110	100	70	265	212	14	367	42	110	45	12														
8	AU40/26					180	225															320	250											
9	AU40/32					200	200															345	280											
10	AU40/32H	45	40	125	526	200	250	65	14	110	125	95	345	280	14	342	32	80	35	10														
11	AU40/32G					526	200	367														42	110	45	12									
12	AU50/13					132	160	240														190												
13	AU50/16	25	50	100	360	160	180	50	14	110	100	70	265	212	14	267	24	50	27	8														
14	AU50/20					180	225	320														250												
15	AU50/26					200	200	345														280												
16	AU50/26G	35	50	125	526	180	225	65	14	110	125	95	320	250	14	344	32	80	35	10														
17	AU50/32					470	225	345														280												
18	AU50/32H					526	200	367														42	110	45	12									
19	AU50/32G	45	50	150	526	200	250	65	14	110	125	95	345	280	14	342	32	80	35	10														
20	AU55/13					160	180	280														212												
21	AU55/16					180	200	320														250												
22	AU55/20	25	65	80	465	180	225	50	14	110	100	70	265	212	14	267	24	50	27	8														
23	AU55/20G					200	250	360														280												
24	AU55/26					225	280	339														32	80	35	10									
25	AU55/32	35	65	100	470	200	250	65	14	110	160	120	400	315	18	342	32	80	35	10														
26	AU55/32H					225	280	367														42	110	45	12									
27	AU55/32G					526	200	367														42	110	45	12									
28	AU80/16	25	80	100	360	180	225	65	14	110	125	95	320	250	14	267	24	50	27	8														
29	AU80/20					200	250	345														280												
30	AU80/26					225	280	367														42	110	45	12									
31	AU80/32	35	80	125	526	200	280	65	14	110	160	120	400	315	18	342	32	80	35	10														
32	AU80/32H					225	280	367														42	110	45	12									
33	AU80/32G					526	200	367														42	110	45	12									
34	AU80/40	45	80	150	530	280	355	85	18	110	160	120	440	340	18	370	42	110	45	12														
35	AU100/16					200	250	360														280												
36	AU100/20					225	280	342														32	80	35	10									
37	AU100/26	35	100	125	470	225	280	65	14	110	125	95	320	250	14	267	24	50	27	8														
38	AU100/32					250	315	400														315	18	342	32	80	35	10						
39	AU100/40					530	280	355														100	20	200	150	500	400	23	370	42	110	45	12	
40	AU125/20	35	125	150	470	250	315	65	14	110	160	120	400	315	18	342	32	80	35	10														
41	AU125/26					225	280	367														42	110	45	12									
42	AU125/32					530	280	355														100	20	200	150	500	400	23	370	42	110	45	12	
43	AU125/40	45	125	150	530	315	400	65	14	110	160	120	400	315	18	342	32	80	35	10														
44	AU125/50					225	280	367														42	110	45	12									
45	AU150/20					500	280	400														400	315	23	342	32	80	35	10					
46	AU150/26	35	150	200	500	250	355	100	14	110	200	150	450	350	23	500	48	110	51	14														
47	AU150/32					530	280	400														400	315	23	342	32	80	35	10					
48	AU150/40					530	280	400														400	315	23	342	32	80	35	10					
49	AU150/50	45	150	200	670	375	500	65	14	110	200	150	450	350	23	500	48	110	51	14														
50	AU200/26					555	315	450														400	315	23	342	32	80	35	10					
51	AU200/32					530	280	400														400	315	23	342	32	80	35	10					
52	AU200/40	55	200	250	670	335	480	120	20	110	220	170	600	480	28	505	48	110	51	14														
53	AU200/50					720	425	560														100	22	140	200	150	660	560	23	515	60	140	64	18
54	AU250/32					691	355	520														150	26	110	250	200	660	510	28	525	48	110	51	14
55	AU250/40	55	250	300	682	400	560	65	14	110	240	190	750	650	23	516	60	140	64	18														
56	AU250/50					250	450	760														660	28	515	60	140	64	18						
57	AU300/40					720	425	670														120	30	140	250	190	760	660	28	515	60	140	64	18



○ Description & Features

ALLFLO AUM series are monoblock type of AU series. No need to use couplings and motor shaft is plugged into pump shaft to ensure concentricity and shorten the axial length. Highly interchangeable parts, space saving, various applications in plants, mines, city water supplies, fire-fighting systems, air-condition systems and irrigation.

○ Model Instruction:



○ Material Code

C	Cast Iron	45	ASTM 1045	• Adapter Code
D	Ductile Iron	S304	ASTM 304	
B	Bronze	S316	ASTM 316	S Adapter for standard bearing
S	ASTM 420	M	Mechanical Seal	B Adapter for big bearing

○ Design & Structure

Design	Performance and dimensions referring to the European standard BS EN733/DIN24255	
Structure	Close-coupled Axial End-Suction Single-Stage, Single-Suction, Volute Casing	
DN (mm)	32 - 150	
Flange	ISO7005 2 DIN2501 PN16 GB T17241.6 PN16	
Motor	IEC standard motor	

○ Applications

- Heating, Ventilation and Air Conditioning
- Fire Protection and Fire Fighting
- Water Circulation
- Liquid Transfer
- Irrigation
- Cooling
- Plants
- Mines

○ Material

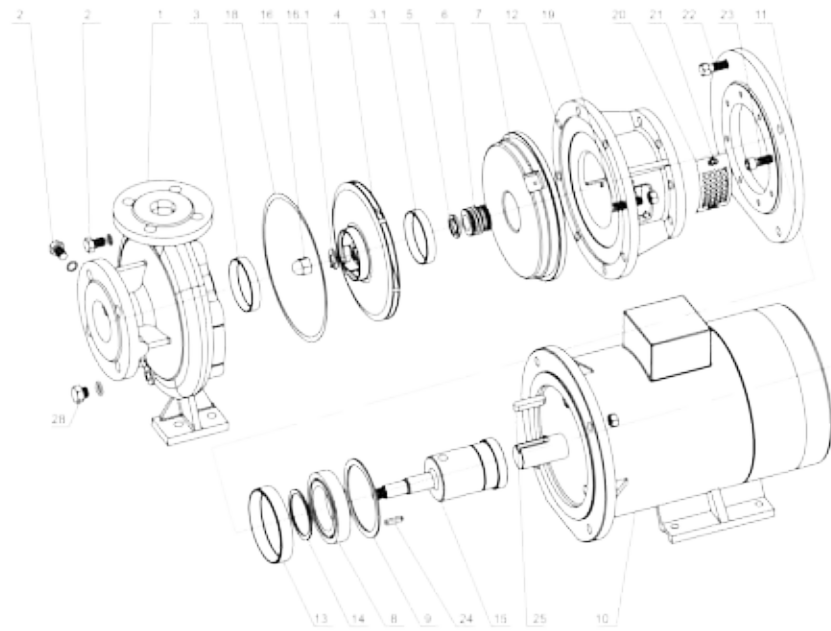
Part	Standard Material	Options on request
Casing	Cast Iron	Ductile Iron / ASTM304 / ASTM316
Impeller	Bronze	Cast Iron / ASTM304 / ASTM316
Shaft	ASTM420	ASTM304 / ASTM316 / ASTM1045
Shaft Seal	Mechanical Seal	---

○ Operating Data

Flow Rate(Q)	0.5-195 l/s
Head(H)	2-152 m
Speed	1450 or 2900 rpm (50Hz) / 1750 or 3500 rpm (60Hz)
Max Temperature	105 °C
Working Pressure	1.0 MPa standard, 1.6 MPa on request
Conveying Medium	Clean water or liquids similar to clean water in physical property

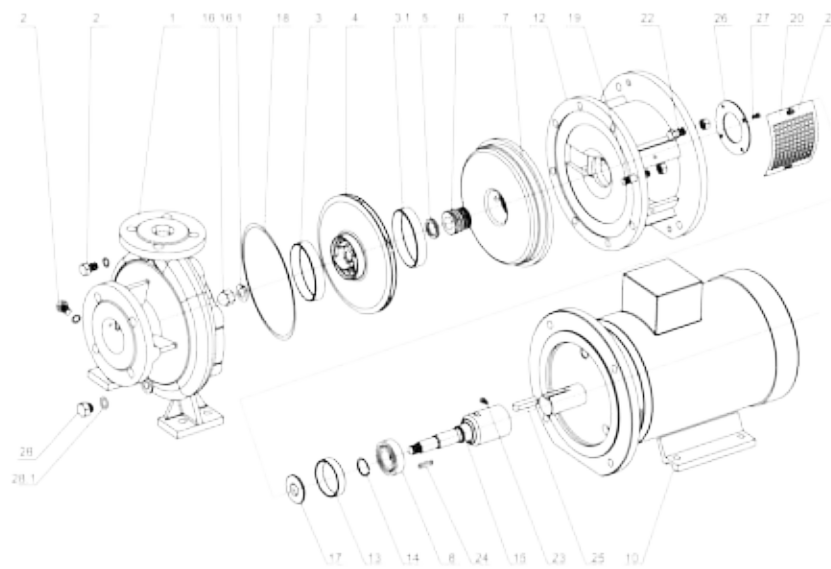


● AUMB Series Explode View & List of Parts

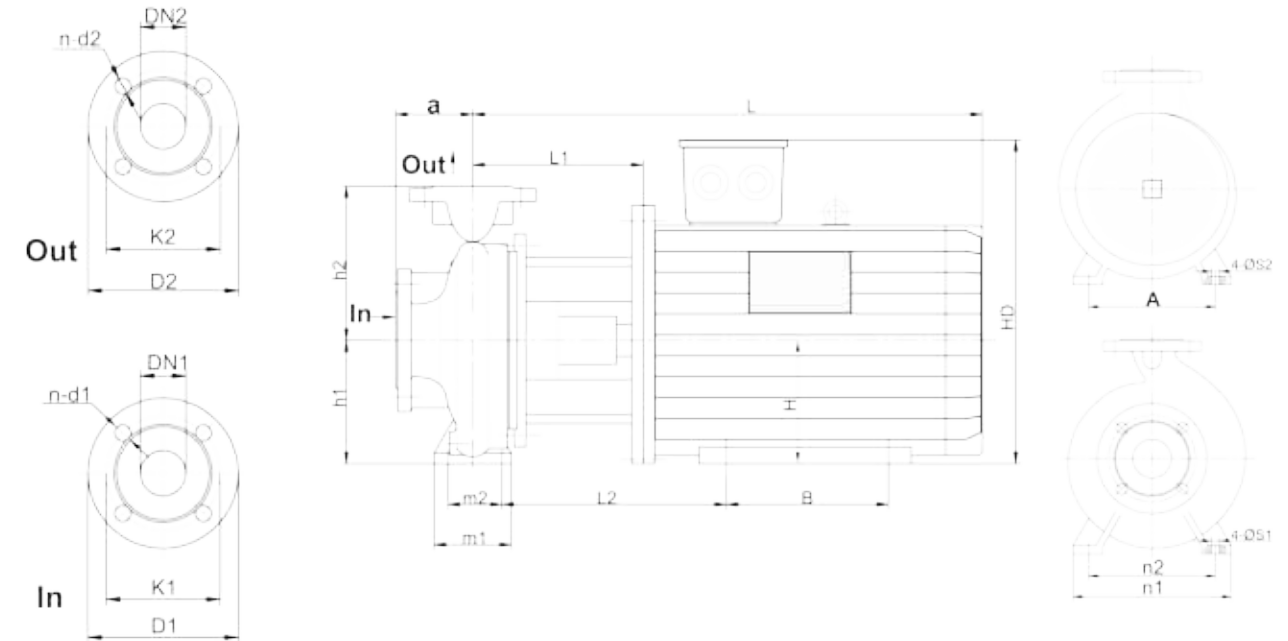


Code	Part Name	Code	Part Name
1	Casing	13	Rubber Check
2	Plug & Washer	14	External Circlips
3	Wear Ring (Front)	15	Shaft
3.1	Wear Ring (Back)	16	Impeller Nut
4	Impeller	16.1	Lock Washer
5	Seal Seat	18	Casing Gasket
6	Mech. Seal	19	Screw Stud & Nut
7	Casing Cover	20	Shield
8	Bearing	21	Screw
9	Internal Circlips	22	Screw Bolt & Nut
10	B35 Motor	24	Key
11	Flange	25	Key
12	Adapter	28	Plug & Washer

● AUMS Series Explode View & List of Parts



Code	Part Name	Code	Part Name
1	Casing	16	Impeller Nut
2	Plug & Washer	16.1	Lock Washer
3	Wear Ring (Front)	17	Rubber Slinger
3.1	Wear Ring (Back)	18	Casing Gasket
4	Impeller	19	Screw Stud & Nut
5	Seal Seat	20	Shield
6	Mech. Seal	21	Screw
7	Casing Cover	22	Screw Bolt & Nut
8	Bearing	23	Screw
10	B35 Motor	24	Key
12	Adapter	25	Key
13	Rubber Check	26	Bearing Cover
14	External Circlips	27	Screw
15	Shaft	28	Plug & Washer



● AUMS Installation Dimensions

No.	Model	a	r1	r2	L1	L2	L	A	B	H	HD	m1	m2	n1	r2	S1	S2									
1	AUMS32/13-00554	80	112	140	152	167	407	125	100	80	220	100	70	190	140	14	10									
2	AUMS32/13-01102					173	422	140	100	90	250															
3	AUMS32/13-01502					167	407	125	100	80	220															
4	AUMS32/13-02202					173	422	140	100	90	250															
5	AUMS40/13-00554				100	132	160	164	192	489	160							140	100	270	100	70	210	160	14	12
6	AUMS40/13-01502								173	422	140							100	90	250						
7	AUMS40/13-02202								173	447	140							125	90	290						
8	AUMS40/13-03002								192	489	160							140	100	270						
9	AUMS40/13-04002	199	504	190				140	112	300																
10	AUMS50/13-00554	100	160	180				152	167	407	125	100	80	220	125	95	280	212	14	10						
11	AUMS50/13-00754								173	422	140	100	90	250												
12	AUMS50/13-01104								164	199	504	190	112	300												
13	AUMS50/13-04002				187	241	577		216	140	132	345														
14	AUMS50/13-05502				160	180	220	160.5	422	140	100	90	250	100							70	240	190	14	12	
15	AUMS50/13-07502							187	241	577	216	140	132													345
16	AUMS65/13-01104							152	160.5	447	140	125	90													250
17	AUMS65/13-01504							187	228.5	577	216	140	132													345
18	AUMS65/13-05502	80	132	160	164	280.5	725	254	210	160	420	100	70	240	190	14	15									
19	AUMS65/13-07502					187	241	577	216	140	132							345								
20	AUMS65/13-11002					220	280.5	725	254	210	160							420								
21	AUMS32/16-00554					80	132	160	152	167	407							125	100	80	220	100	70	240	190	14
22	AUMS32/16-00754	173	447	140	125					90	250															
23	AUMS32/16-02202	164	192	489	160					100	270															
24	AUMS32/16-03002	187	241	577	216					140	132	345														
25	AUMS32/16-04002	160	180	220	167				407	125	100	80	220	100	70	240	190	14	12							
26	AUMS32/16-05502				173				422	140	100	90	250													
27	AUMS40/16-00554				192				489	160	140	100	270													
28	AUMS40/16-00754				187				241	577	216	140	132							345						
29	AUMS40/16-01104	80	132	160	152	167	407	125	100	80	220	100	70	240	190	14	10									
30	AUMS40/16-03002					173	422	140	100	90	250															



ALLFLO

AUM series Monoblock End Suction Centrifugal Pump

ALLFLO

Monoblock End Suction Centrifugal Pump AUM series

AUMS Installation Dimensions

Table with 17 columns: No, Model, a, h1, h2, L1, L2, L, A, B, H, HD, m1, m2, n1, n2, S1, S2. Rows 31-86.

AUMS Installation Dimensions

Table with 17 columns: No, Model, a, h1, h2, L1, L2, L, A, B, H, HD, m1, m2, n1, n2, S1, S2. Rows 87-141.



⊙ **AUMS Installation Dimensions**

No.	Model	a	h1	h2	L1	L2	L	A	B	H	HD	m1	m2	n1	n2	S1	S2					
142	AUMS10/26-37002	125	200	280	237	310	897	318	305	200	505	160	120	400	315	18	19					
143	AUMS10/26-45002				237	328	942	356	311	225	560						15					
144	AUMS10/26-55002				271	379	1041	406	349	250	615						24					
145	AUMS10/26-75002				401	1116	457	368	280	680	12											
146	AUMS100/26-07504				206	235	636	216	178	132	345						15					
147	AUMS100/26-11004				238	286	743	254	160	420	12											
148	AUMS100/26-15004				238	286	798	254	160	420	15											
149	AUMS100/26-55002				383	1045	406	349	250	615	24											
150	AUMS100/26-75002				275	405	1120	457	368	280	680						15					
151	AUMS100/26-90002				275	405	1170	457	419	280	680						24					
152	AUMS125/26-15004	140	225	280	238	286	798	254	160	420	160	120	400	315	18	19						
153	AUMS125/26-18504				238	299	822	279	241	180						455	15					
154	AUMS125/26-22004				241	314	901	316	305	200						505	24					
155	AUMS125/26-30004				241	314	901	316	305	200						505	15					
156	AUMS150/26-18504				248	294	838	279	180	455						200	150	450	350	23	15	
157	AUMS150/26-22004				248	294	878	279	180	455						200	150	450	350	23	19	
158	AUMS150/26-30004				306	908	316	305	200	505						15						
159	AUMS40/32-03004				179	194.5	504	160	140	100						270	125	95	345	280	14	12
160	AUMS40/32-04004				201	201.5	519	190	140	112						300						15
161	AUMS40/32-05504				201	242.5	591	216	140	132						345						19
162	AUMS40/32-07504	201	242.5	631	216	178	132	345	24													
163	AUMS40/32-22002	231	291.5	861	279	241	180	455	12													
164	AUMS40/32-30002	237	322.5	897	318	305	200	505	15													
165	AUMS40/32-37002	237	322.5	897	318	305	200	505	19													
166	AUMS40/32-45002	273	338.5	942	356	311	225	560	24													
167	AUMS40/32-55002	273	393.5	1043	406	349	250	615	12													
168	AUMS40/32-05504	201	242.5	591	216	140	132	345	15													
169	AUMS40/32-07504	201	242.5	631	216	178	132	345	19													
170	AUMS40/32-11004	231	291.5	736	254	210	160	420	24													
171	AUMS40/32-37002	237	322.5	897	318	305	200	505	15													
172	AUMS40/32-45002	237	322.5	897	318	305	200	505	19													
173	AUMS40/32-55002	273	393.5	1043	406	349	250	615	24													
174	AUMS40/32-75002	273	415.5	1118	457	368	280	680	12													
175	AUMS45/32-07504	201	230	631	216	178	132	345	15													
176	AUMS45/32-11004	235	283	740	254	160	420	19														
177	AUMS45/32-15004	235	283	795	254	160	420	24														
178	AUMS45/32-45002	252	341	957	356	311	225	560	15													
179	AUMS45/32-55002	252	380	1042	406	349	250	615	19													
180	AUMS45/32-75002	272	402	1117	457	368	280	680	24													
181	AUMS45/32-90002	272	402	1167	457	419	280	680	12													
182	AUMS40/32-07504	201	230	631	216	178	132	345	15													
183	AUMS40/32-11004	235	283	740	254	160	420	24														
184	AUMS40/32-15004	235	283	795	254	160	420	15														
185	AUMS40/32-55002	272	380	1042	406	349	250	615	19													
186	AUMS40/32-75002	272	402	1117	457	368	280	680	24													
187	AUMS40/32-90002	272	402	1167	457	419	280	680	15													
188	AUMS40/32N-11004	235	283	740	254	160	420	24														
189	AUMS40/32N-15004	235	283	795	254	160	420	15														
190	AUMS40/32N-18504	235	296	825	279	241	180	455	19													
191	AUMS40/32N-75002	272	402	1117	457	368	280	680	24													
192	AUMS40/32N-90002	272	402	1167	457	419	280	680	15													
193	AUMS100/32-11004	140	250	315	235	283	740	254	160	420	160	120	400	315	18	19						
194	AUMS100/32-15004				235	283	795	254	160	420						15						
195	AUMS100/32-18504				235	286	825	279	241	180						455						

⊙ **AUMS Installation Dimensions**

No.	Model	a	h1	h2	L1	L2	L	A	B	H	HD	m1	m2	n1	n2	S1	S2								
196	AUMS100/32-22004	140	250	315	235	296	865	279	279	180	455	160	120	400	315	18	15								
197	AUMS100/32-30004				237	310	897	318	305	200	505						19								
198	AUMS125/32-15004				249	282	809	254	160	420	15														
199	AUMS125/32-18504				249	295	839	241	180	455	24														
200	AUMS125/32-22004				249	295	879	279	180	455	15														
201	AUMS125/32-30004				249	307	909	318	305	200	505						24								
202	AUMS125/32-37004				280	284	358	964	356	286	225						560	200	150	200	150	500	400	23	19
203	AUMS150/32-30004				250	307	910	318	305	200	505						15								
204	AUMS150/32-37004				160	280	400	285	358	965	356						286	225	560	160	120	400	315	18	19
205	AUMS150/32-45004							285	358	990	356						311	225	560						24
206	AUMS150/32-55004	285	377	1055				406	349	250	615														

⊙ **AUMB Installation Dimensions**

No.	Model	a	h1	h2	L1	L2	L	A	B	H	HD	m1	m2	n1	n2	S1	S2	
1	AUMB32/13-00554	80	112	140	125	140	380	125	100	80	220	100	70	210	160	14	10	
2	AUMB32/13-01102				141	162	411	140	100	90	250							12
3	AUMB32/13-01502				141	162	436	140	125	90	250							15
4	AUMB32/13-02202				142	170	467	160	140	100	270							12
5	AUMB32/13-03002				142	177	482	190	140	112	300							15
6	AUMB32/13-04002				142	177	482	190	140	112	300							19
7	AUMB40/13-00554				125	140	380	125	100	80	220							10
8	AUMB40/13-00754				141	162	411	140	100	90	250							12
9	AUMB40/13-01104				141	162	436	140	125	90	250							15
10	AUMB40/13-01502				141	162	436	140	125	90	250							12
11	AUMB40/13-02202	142	170	467	160	140	100	270	15									
12	AUMB40/13-03002	142	177	482	190	140	112	300	19									
13	AUMB40/13-04002	142	177	482	190	140	112	300	12									
14	AUMB40/13-05502	181	235	571	216	140	132	345	15									
15	AUMB40/13-07502	181	235	571	216	140	132	345	19									
16	AUMB50/13-00554	125	140	380	125	100	80	220	10									
17	AUMB50/13-00754	141	162	411	140	100	90	250	12									
18	AUMB50/13-01104	141	162	436	140	125	90	250	15									
19	AUMB50/13-01504	141	162	436	140	125	90	250	12									
20	AUMB50/13-04002	142	177	482	190	140	112	300	15									
21	AUMB50/13-05502	181	235	571	216	140	132	345	19									
22	AUMB50/13-07502	181	235	571	216	140	132	345	15									
23	AUMB50/13-11002	191	264	696	254	210	160	420	12									
24	AUMB65/13-01104	141	149.5	411	140	100	90	250	15									
25	AUMB65/13-01504	141	149.5	436	140	125	90	250	12									
26	AUMB65/13-02204	142	157.5	467	160	100	100	270	15									
27	AUMB65/13-05502	181	222.5	571	216	140	132	345	12									
28	AUMB65/13-07502	181	222.5	571	216	140	132	345	15									
29	AUMB65/13-11002	191	251.5	696	254	210	160	420	12									
30	AUMB65/13-15002	191	251.5	696	254	210	160	420	15									



○ AUMB Installation Dimensions

No.	Model	a	h1	h2	L1	L2	L	A	B	H	HD	m1	m2	n1	n2	S1	S2									
31	AUMB32/16-00554	80	132	160	125	140	380	125	100	80	220	100	70	240	190		10									
32	AUMB32/16-00754						411																			
33	AUMB32/16-01104				141	162	436	140	125	90	250															
34	AUMB32/16-01504																									
35	AUMB32/16-02202				142	170	467	160	100	270																
36	AUMB32/16-03002																									
37	AUMB32/16-04002				181	235	571	216	140	112	300															
38	AUMB32/16-05502																									
39	AUMB32/16-07502				100	160	180	125	140	380	125							100	80	220	100	70	265	212	14	
40	AUMB40/16-00554									411																
41	AUMB40/16-00754	141	162	436				140	125	90	250															
42	AUMB40/16-01104																									
43	AUMB40/16-01504	142	170	467				160	100	270																
44	AUMB40/16-03002																									
45	AUMB40/16-04002	181	235	571				216	140	112	300															
46	AUMB40/16-05502																									
47	AUMB40/16-07502	100	160	180				125	140	380	125	100	80	220	100	70	280	212	14							
48	AUMB40/16-11002									411																
49	AUMB50/16-00754				141	162	436	140	125	90	250															
50	AUMB50/16-01104																									
51	AUMB50/16-01504				142	170	467	160	100	270																
52	AUMB50/16-02204																									
53	AUMB50/16-03004				181	235	571	216	140	112	300															
54	AUMB50/16-05502																									
55	AUMB50/16-07502				100	160	200	125	127.5	380	125	100	80	220							125	95	320	250	19	
56	AUMB50/16-11002									411																
57	AUMB50/16-15002	141	149.5	436				140	125	90	250															
58	AUMB50/16-18502																									
59	AUMB50/16-22002	142	157.5	467				160	140	100	270															
60	AUMB65/16-00754																									
61	AUMB65/16-01104	181	222.5	571				216	140	112	300															
62	AUMB65/16-01504																									
63	AUMB65/16-02204	191	251.5	696				254	210	160	420															
64	AUMB65/16-03004																									
65	AUMB65/16-04004	191	264.5	781	279	241	180	455																		
66	AUMB65/16-07502																									
67	AUMB65/16-11002	125	180	225	201	286.5	861	318	305	200	505	125	95	320	250	19										
68	AUMB65/16-15002						751																			
69	AUMB65/16-18502				142	157.5	467	160	140	100	270															
70	AUMB65/16-22002																									
71	AUMB65/16-30002				181	222.5	571	216	140	112	300															
72	AUMB80/16-02204																									
73	AUMB80/16-03004				191	251.5	696	254	210	160	420															
74	AUMB80/16-04004																									
75	AUMB80/16-05504				191	264.5	781	279	241	180	455															
76	AUMB80/16-15002																									
77	AUMB80/16-18502	125	180	225	201	286.5	861	318	305	200	505	125	95	320	250	19										
78	AUMB80/16-22002						751																			
79	AUMB80/16-30002				142	157.5	467	160	140	100	270															
80	AUMB80/16-37002																									
81	AUMB100/16-03004				181	222.5	571	216	140	112	300															
82	AUMB100/16-04004																									
83	AUMB100/16-05504				191	251.5	696	254	210	160	420															

○ AUMB Installation Dimensions

No.	Model	a	h1	h2	L1	L2	L	A	B	H	HD	m1	m2	n1	n2	S1	S2
84	AUMB100/16-07504	80	160	180	207	255	767	254	178	160	420	100	70	240	190		15
85	AUMB100/16-18502						254										
86	AUMB100/16-22002				217	290	877	318	305	200	595						
87	AUMB100/16-37002																
88	AUMB100/16-30002				141	162	411	140	100	90	250						
89	AUMB100/16-45002																
90	AUMB32/20-01104				142	170	467	160	100	270							
91	AUMB32/20-01504																
92	AUMB32/20-02204				181	235	571	216	140	112	300						
93	AUMB32/20-04002																
94	AUMB32/20-05502	100	160	180	141	162	411	140	100	90	250	100	70	265	212	14	
95	AUMB32/20-07502						436										
96	AUMB32/20-11002				142	170	467	160	100	270							
97	AUMB32/20-15002																
98	AUMB40/20-01104				181	235	571	216	140	112	300						
99	AUMB40/20-01504																
100	AUMB40/20-02204				191	264	696	254	210	160	420						
101	AUMB40/20-03004																
102	AUMB40/20-05502				141	162	411	140	100	90	250						
103	AUMB40/20-07502																
104	AUMB40/20-11002	142	170	467	160	100	270										
105	AUMB40/20-15002																
106	AUMB40/20-18502	181	235	571	216	140	112	300									
107	AUMB50/20-01104																
108	AUMB50/20-01504	191	284	696	254	210	160	420									
109	AUMB50/20-02204																
110	AUMB50/20-03004	144	162	411	140	100	90	250									
111	AUMB50/20-04004																
112	AUMB50/20-11002	145	170	470	160	140	100	270									
113	AUMB50/20-15002																
114	AUMB50/20-18502	177	485	190	140	112	300										
115	AUMB50/20-22002																
116	AUMB50/20-30002	100	200	225	194	264	411	140	100	90	250	125	95	320	250	15	
117	AUMB65/20-02204						482										
118	AUMB65/20-03004				142	157.5	467	160	100	270							
119	AUMB65/20-04004																
120	AUMB65/20-05504				181	222.5	571	216	140	112	300						
121	AUMB65/20-07504																
122	AUMB65/20-15002				191	251.5	696	254	210	160	420						
123	AUMB65/20-18502																
124	AUMB65/20-22002				204	299	864	318	305	200	505						
125	AUMB65/20-30002																
126	AUMB65/20-37002	125	180	250	142	157.5	467	160	100	270	125	95	320	250	15		
127	AUMB80/20-03004						482										
128	AUMB80/20-04004				181	222.5	571	216	140	112							300
129	AUMB80/20-05504																
130	AUMB80/20-07504				191	251.5	696	254	210	160							420
131	AUMB80/20-11004																
132	AUMB80/20-22002				207	267.5	712	254	210	160							420
133	AUMB80/20-30002																
134	AUMB80/20-37002				217	302.5	877	318	305	200							505
135	AUMB80/20-45002																
136	AUMB100/20-04004	158	168	498	190	140	112	300									
137	AUMB100/20-05504																
138	AUMB100/20-07504	197	226	587	216	178	132	345	160	120	360	280	18	12			



○ AUMB Installation Dimensions

No.	Model	a	h1	h2	L1	L2	L	A	B	H	HD	m1	m2	n1	n2	S1	S2
139	AUMB100/20-11004	125	200	280	207	255	712	254	210	160	420	160	120	360	280	18	15
140	AUMB100/20-15004					255	767	254	210								
141	AUMB100/20-30002				217	290	877	318	305	200	505						
142	AUMB100/20-37002					306	922	356	311	225	560						
143	AUMB100/20-45002	140	250	315	197	226	627	216	178	132	345	200	150	400	315	23	12
144	AUMB125/20-07504				207	255	712	254	210	160	420						15
145	AUMB125/20-11004					255	767	254	210	160	420						
146	AUMB125/20-15004				268	797	279	241	180	455	19						
147	AUMB125/20-18504	160	280	400	234	267	739	254	210	160	420	200	150	400	315	23	15
148	AUMB150/20-11004					267	794	254	210								160
149	AUMB150/20-15004				280	824	279	241	180	455	19						
150	AUMB150/20-18504					864	279	241	180	455							
151	AUMB150/20-22004	152	180	225	244	302	904	318	305	200	505	125	95	320	250	14	19
152	AUMB150/20-30004				185.5	477	160	100	270	12							
153	AUMB32/26-02204				172.5	492	190	112	300	15							
154	AUMB32/26-03004				191	230.5	581	216	132	345	19						
155	AUMB32/26-04004	201	250	315	259.5	706	254	210	160	420	125	95	320	250	14	15	
156	AUMB32/26-05504					761	254	210	160	420							
157	AUMB32/26-11002				272.5	791	279	241	180	455						19	
158	AUMB32/26-15002					294.5	871	318	305	200						505	
159	AUMB32/26-18502	152	180	225	201	259.5	706	254	210	160	420	125	95	320	250	14	15
160	AUMB32/26-22002					761	254	210	160	420							
161	AUMB32/26-30002				272.5	791	279	241	180	455	19						
162	AUMB32/26-37002					294.5	871	318	305	200	505						
163	AUMB40/26-02204	191	230.5	285	152	185.5	477	160	100	270	125	95	320	250	14	12	
164	AUMB40/26-03004					172.5	492	190	112	300						15	
165	AUMB40/26-04004				201	230.5	581	216	132	345						19	
166	AUMB40/26-05504					259.5	706	254	210	160						420	
167	AUMB40/26-11002	272.5	279	241	211	294.5	871	318	305	200	505	125	95	320	250	14	15
168	AUMB40/26-15002					761	254	210	160	420							
169	AUMB40/26-18502				294.5	871	318	305	200	505	19						
170	AUMB40/26-22002					294.5	871	318	305	200	505						
171	AUMB40/26-30002	153	180	225	152	185.5	477	160	100	270	125	95	320	250	14	12	
172	AUMB40/26-37002					172.5	492	190	112	300						15	
173	AUMB50/26-02204				192	230.5	582	216	132	345						19	
174	AUMB50/26-03004					622	216	178	132	345							
175	AUMB50/26-04004	202	250	315	202	259.5	707	254	210	160	420	125	95	320	250	14	15
176	AUMB50/26-05504					762	254	210	160	420							
177	AUMB50/26-07504				272.5	792	279	241	180	455	19						
178	AUMB50/26-11004					294.5	872	318	305	200	505						
179	AUMB50/26-18502	158	168	498	197	226	587	216	140	132	345	160	120	360	280	18	12
180	AUMB50/26-22002					627	216	178	132	345							
181	AUMB50/26-30002				207	255	767	254	210	160	420						15
182	AUMB50/26-37002					290	877	318	305	200	505						
183	AUMB65/26-04004	217	290	877	306	922	356	311	225	560	160	120	360	280	18	19	
184	AUMB65/26-05504					290	877	318	305	200						505	
185	AUMB65/26-07504				306	922	356	311	225	560						19	
186	AUMB65/26-11004					290	877	318	305	200						505	
187	AUMB65/26-15004	100	200	250	207	255	767	254	210	160	420	160	120	360	280	18	15
188	AUMB65/26-30002					290	877	318	305	200	505						
189	AUMB65/26-37002				217	290	877	318	305	200	505						19
190	AUMB65/26-45002					306	922	356	311	225	560						

○ AUMB Installation Dimensions

No.	Model	a	h1	h2	L1	L2	L	A	B	H	HD	m1	m2	n1	n2	S1	S2	
191	AUMB80/26-05504	125	200	280	197	226	587	216	140	132	345	160	120	400	315	18	12	
192	AUMB80/26-07504					627	216	178	132	345								
193	AUMB80/26-11004				207	255	712	254	210	160	420							15
194	AUMB80/26-15004					268	797	279	241	180	455							
195	AUMB80/26-18504	140	225	315	217	290	877	318	305	200	505	200	150	400	315	23	19	
196	AUMB80/26-37002					306	922	356	311	225	560							
197	AUMB80/26-45002				201	230	631	216	178	132	345						12	
198	AUMB100/26-07504					259	716	254	210	160	420							
199	AUMB100/26-11004	225	280	360	211	272	801	279	241	180	420	160	120	400	315	18	15	
200	AUMB100/26-15004					841	279	241	180	420								
201	AUMB100/26-18504				221	294	881	318	305	200	505						19	
202	AUMB100/26-22004					259	771	254	254	180	420							
203	AUMB100/26-30004	250	355	450	211	272	801	279	241	180	455	125	95	345	280	14	15	
204	AUMB125/26-15004					841	279	241	180	420								
205	AUMB125/26-18504				221	294	881	318	305	200	505						19	
206	AUMB125/26-22004					259	771	254	254	180	420							
207	AUMB125/26-30004	200	250	320	149	164.5	474	160	100	270	125	95	345	280	14	12		
208	AUMB40/32-03004					171.5	489	190	140	112						300		
209	AUMB40/32-04004				188	229.5	578	216	178	132						345	15	
210	AUMB40/32-05504					618	216	178	132	345								
211	AUMB40/32-07504	200	250	320	200	260.5	715	254	210	160	420	125	95	345	280	14	15	
212	AUMB40/32-11004					790	279	241	180	455								
213	AUMB40/32-22002				188	229.5	578	216	178	132	345						12	
214	AUMB50/32-05504					618	216	178	132	345								
215	AUMB50/32-07504	200	250	320	200	260.5	715	254	210	160	420	125	95	345	280	14	15	
216	AUMB50/32-11004					770	254	210	160	420								
217	AUMB50/32-15004				273.5	800	279	241	180	455	12							
218	AUMB50/32-18504					202	231	632	216	178							132	345
219	AUMB65/32-07504	125	280	360	212	260	717	254	210	160	420	160	120	400	315	18	12	
220	AUMB65/32-11004					772	254	210	160	420								
221	AUMB65/32-15004				273	802	279	241	180	455	15							
222	AUMB65/32-18504					842	279	241	180	455								
223	AUMB65/32-22004	202	231	632	212	260	717	254	210	160	420	160	120	400	315	18	12	
224	AUMB80/32-07504					772	254	210	160	420								
225	AUMB80/32-11004				273	802	279	241	180	455	15							
226	AUMB80/32-15004					842	279	241	180	455								
227	AUMB80/32-18504	250	315	400	212	260	717	254	210	160	420	160	120	400	315	18	15	
228	AUMB80/32-22004					772	254	210	160	420								
229	AUMB80/32N-11004				273	802	279	241	180	455	12							
230	AUMB80/32N-15004					842	279	241	180	455								
231	AUMB80/32N-18504	140	250	315	260	717	254	210	160	420	160	120	400	315	18	15		
232	AUMB80/32N-22004					772	254	210	160	420								
233	AUMB100/32-11004				273	802	279	241	180	455						12		
234	AUMB100/32-15004					842	279	241	180	455								
235	AUMB100/32-18504	273	802	279	241	180	455	15										
236	AUMB100/32-22004		842	279	241	180	455											

ISO7005, 2 DIN2501 PN10 GB, T17241, 6 PN1, 6)												
DN1/DN2	32	40	50	65	80	100	125	150	200	250	300	350
D1/D2/D1/D2	140	150	165	185	200	220	250	285	340	405	460	520
K1/K2	100	110	125	145	160	180	210	240	295	355	410	470
n-d1/n-d2	4-c18	4-c18	4-c18	4-c18	8-c18	8-c18	8-c18	8-c22	12-c22	12-c26	12-c26	16-c26

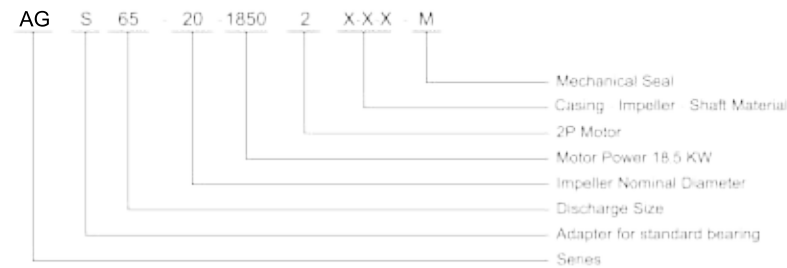




○ Description & Features

ALLFLO AG series are vertical in-line pumps. The biggest feature is vertical structure which sharply reduces installation space. Motor shaft is plugged into pump shaft to ensure alignment of pump and motor. Using IEC standard motor and pump can be assembled separately.

○ Model Instruction:



○ Material Code

C	Cast Iron	45	ASTM 1045
Q	Ductile Iron	S304	ASTM 304
B	Bronze	S316	ASTM 316
S	ASTM 420	M	Mechanical Seal

○ Design & Structure

Design	Performance referring to BS EN733/DIN24255 standard
Structure	Vertical, Single Stage, Single Suction, Volute Casing, In-line, Close coupled
DN (mm)	40 - 200
Flange	ISO7005 2 DIN2501 PN16 GB / T 117241 6 PN16
Motor	IEC standard motor

○ Material

Part	Standard Material	Options on request
Casing	Cast Iron	Ductile Iron
Impeller	Bronze	Cast Iron / ASTM304 / ASTM316
Shaft	ASTM420	ASTM304 / ASTM316 / ASTM1045
Shaft Seal	Mechanical Seal	----

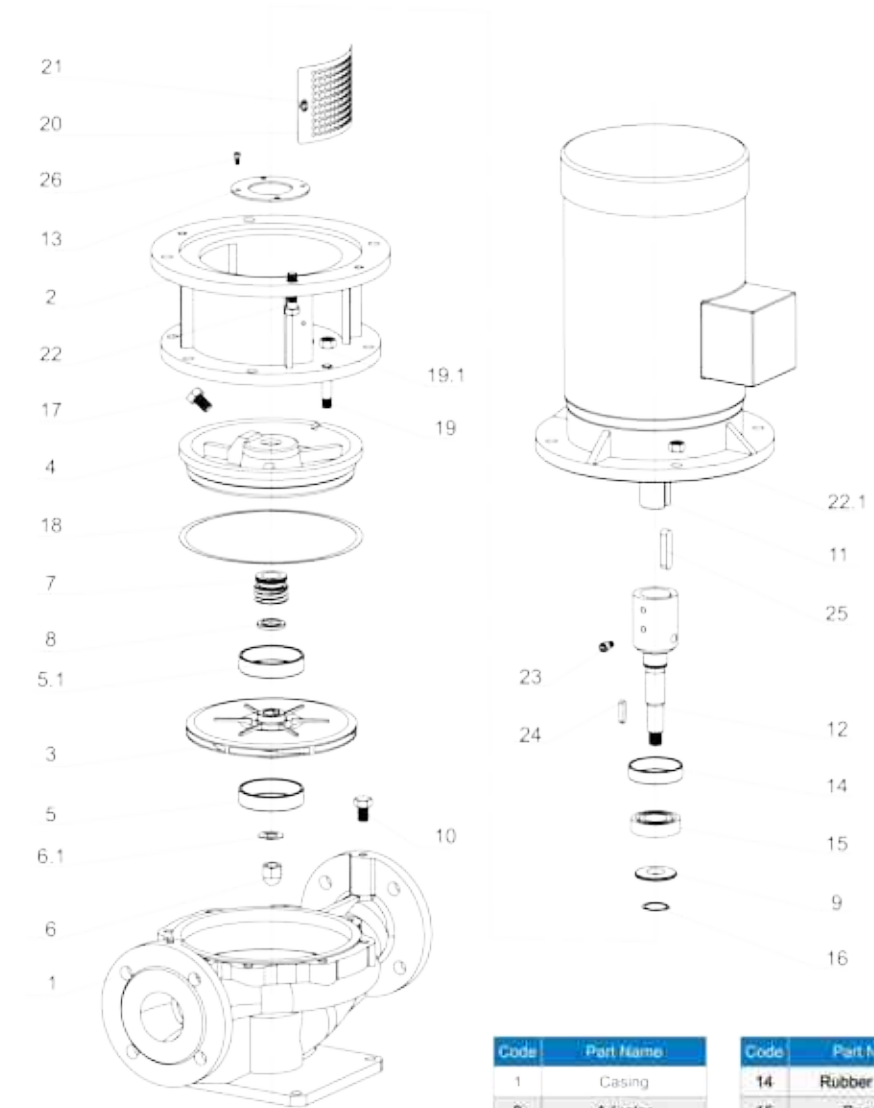
○ Operating Data

Flow Rate(Q)	0.5-167 l/s
Head(H)	2-155 m
Speed	1450 or 2900 rpm (50Hz) / 1750 or 3500 rpm (60Hz)
Max Temperature	105 °C
Working Pressure	1.0 MPa standard, 1.6 MPa on request
Conveying Medium	Clean water or liquids similar to clean water in physical property

○ Applications

- Heating, Ventilation and Air Conditioning
- Fire Protection and Fire Fighting
- Water Circulation
- Liquid Transfer
- Irrigation
- Cooling

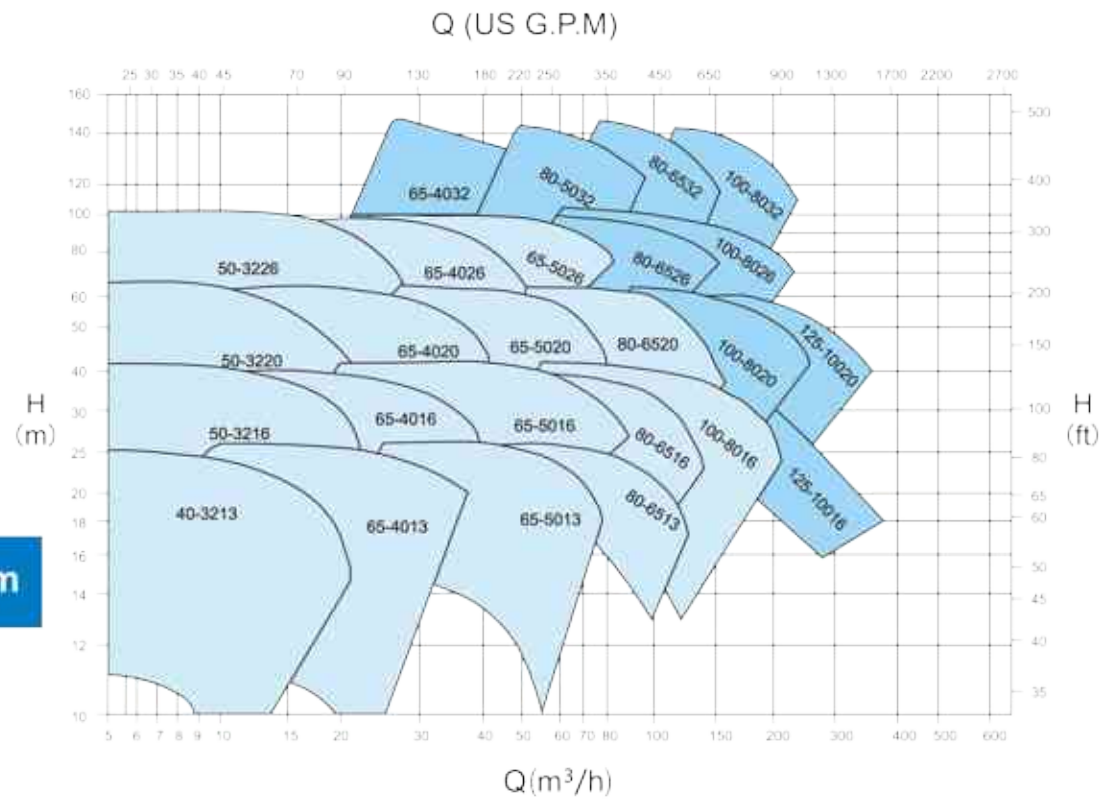
○ AG Series Explode View & List of Parts



Code	Part Name	Code	Part Name
1	Casing	14	Rubber Check
2	Adapler	15	Bearing
3	Impeller	16	External Circlip
4	Casing Cover	17	Plug
5	Wear Ring (Front)	18	Casing Gasket
5.1	Wear Ring (Back)	19	Screw Stud
6	Impeller Nut	19.1	Screw Nut
6.1	Lock Washer	20	Shield
7	Mech Seal	21	Screw
8	Seal Seat	22	Screw Bolt
9	Rubber Slinger	22.1	Screw Nut
10	Plug	23	Screw
11	V1 Motor	24	Key
12	Shaft	25	Key
13	Bearing Cover	26	Screw

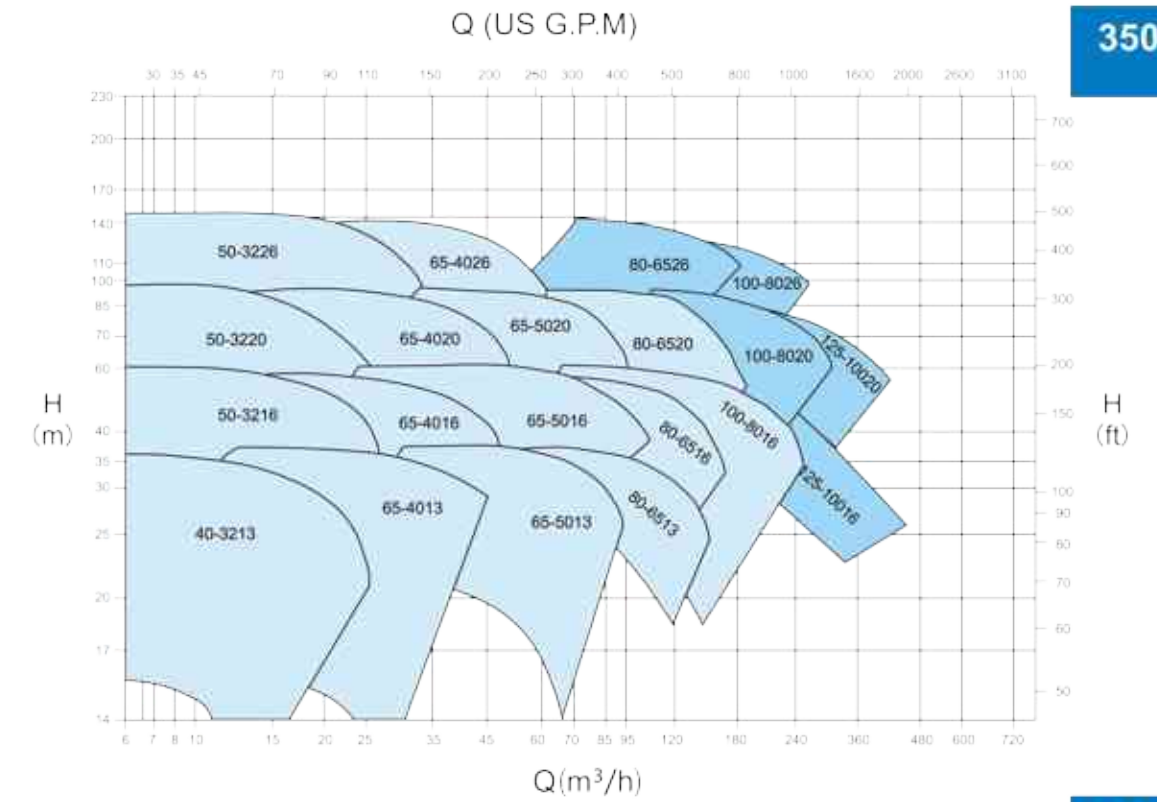


Field Chart AG series (50Hz)



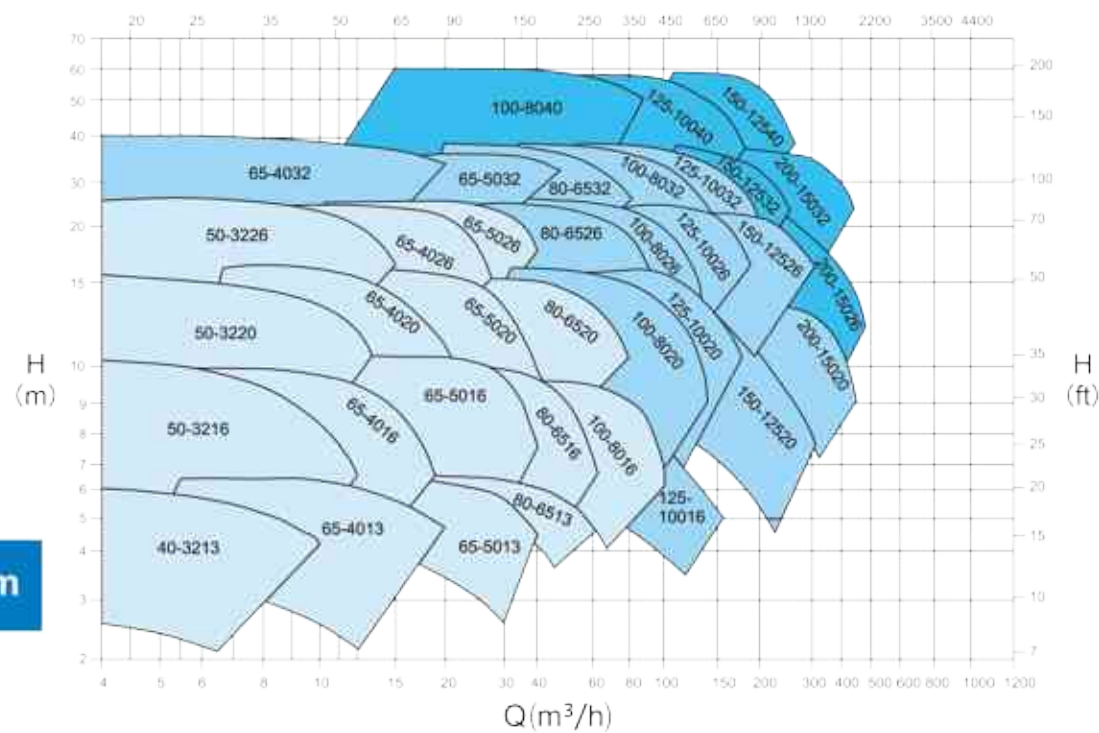
2900rpm

Field Chart AG series (60Hz)



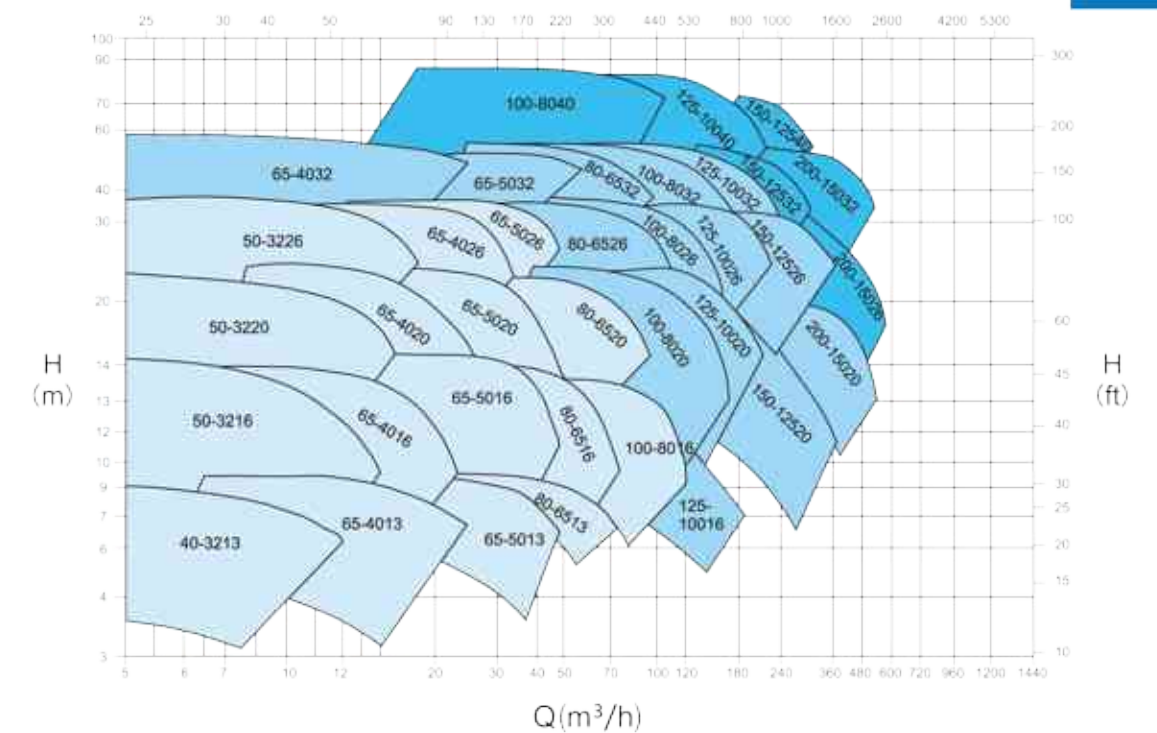
3500rpm

Q (US G.P.M.)

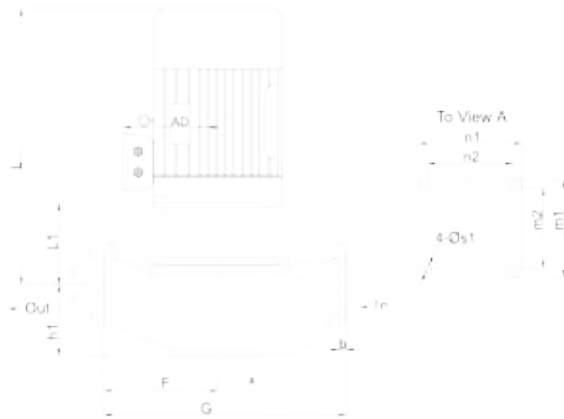
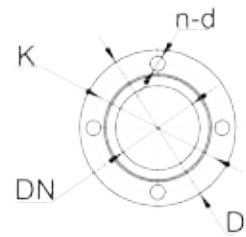


1450rpm

Q (US G.P.M.)



1750rpm



AG 50Hz Installation Dimensions

No.	Model	n1	L1	F	G	L	AD	n2x2	n1x1	s1	DN	D	K	n-d	b
1	AG0-3213-00554	113	152	150	310	407	145	170x200	200x230	12	40	150	110	4-φ18	18
2	AG0-3213-01102					422	155								
3	AG0-3213-01502					447	155								
4	AG0-3213-02202					447	145								
5	AG5-4013-00554	128	164	175	360	407	145	170x200	200x230	12	65	185	145	4-φ18	20
6	AG5-4013-01502					422	155								
7	AG5-4013-02202					447	180								
8	AG5-4013-03002					489	190								
9	AG5-4013-04002	504	190												
10	AG5-5013-00554	155	187	200	410	407	145	170x200	200x230	12	80	200	160	8-φ18	25
11	AG5-5013-00754					422	155								
12	AG5-5013-01104					504	190								
13	AG5-5013-04002					577	210								
14	AG5-5013-05502	725	255												
15	AG5-5013-07502	407	145	175	370	422	155	170x200	200x230	12	65	185	145	4-φ18	20
16	AG0-6513-00754	447	155												
17	AG0-6513-01104	489	180												
18	AG0-6513-01502	504	190												
19	AG0-6513-07502	577	210												
20	AG0-6513-11002	725	255												
21	AG0-3216-00554	118	164	180	320	407	145	170x200	200x230	12	50	165	125	4-φ18	20
22	AG0-3216-00754					447	155								
23	AG0-3216-03002					489	180								
24	AG0-3216-04002					504	190								
25	AG0-3216-05502	577	210												
26	AG5-4016-00554	138	187	175	370	407	145	170x200	200x230	12	65	185	145	4-φ18	20
27	AG5-4016-00754					422	155								
28	AG5-4016-01104					489	180								
29	AG5-4016-03002					504	190								
30	AG5-4016-04002	577	210												
31	AG5-4016-05502	725	255												
32	AG5-4016-07502	407	145	440	440	422	155	170x200	200x230	12	80	200	160	8-φ18	25
33	AG5-5016-00554	447	155												
34	AG5-5016-00754	489	180												
35	AG5-5016-01104	504	190												
36	AG5-5016-01504	577	210												
37	AG5-5016-05502	725	255												
38	AG5-5016-07502	407	145	220	220	422	155	170x200	200x230	12	100	220	180	8-φ18	24
39	AG5-5016-11002	447	155												
40	AG5-5016-15002	489	180												
41	AG0-6516-00754	504	190												
42	AG0-6516-01104	577	210												
43	AG0-6516-01504	725	255												
44	AG0-6516-02204	407	145	480	480	422	155	170x200	200x230	12	80	200	160	8-φ18	25
45	AG0-6516-07502	447	155												
46	AG0-6516-11002	489	180												
47	AG0-6516-15002	504	190												
48	AG00-8016-01504	577	210												
49	AG00-8016-02204	725	255												
50	AG00-8016-03004	407	145	300x300	300x300	447	155	170x200	200x230	12	125	250	210	8-φ18	26
51	AG00-8016-15002	489	180												
52	AG00-8016-18502	504	190												
53	AG00-8016-22002	577	210												
54	AG00-8016-30002	725	255												
55	AG25-10016-03004	407	145	300x300	300x300	447	155	170x200	200x230	12	100	220	180	8-φ18	24
56	AG25-10016-04004	489	180												
57	AG25-10016-18502	504	190												
58	AG25-10016-22002	577	210												
59	AG25-10016-30002	725	255												

AG 50Hz Installation Dimensions

No.	Model	n1	L1	F	G	L	AD	n2x2	n1x1	s1	DN	D	K	n-d	b												
60	AG50-3220-00554	118	151	210	420	406	145	170x200	200x230	14	50	165	125	4-φ18	20												
61	AG50-3220-00754					421	155																				
62	AG50-3220-01104					446	155																				
63	AG50-3220-01504					446	145																				
64	AG50-3220-05502	138	188	240	480	576	210	170x200	200x230	14	65	185	145	4-φ18	20												
65	AG50-3220-07502					723	255																				
66	AG50-3220-11002					723	255																				
67	AG65-4020-00754					406	145																				
68	AG65-4020-01104	421	155																								
69	AG65-4020-01504	448	155																								
70	AG65-4020-05502	158	186	240	480	576	210	170x200	200x230	14	65	185	145	4-φ18	20												
71	AG65-4020-07502					723	255																				
72	AG65-4020-11002					723	255																				
73	AG65-5020-01504					449	155																				
74	AG65-5020-02204	178	166	260	540	491	180	170x200	200x230	14	80	200	180	8-φ18	25												
75	AG65-5020-03004					726	255																				
76	AG65-5020-11002					781	180																				
77	AG65-5020-15002					488	180																				
78	AG65-5020-18502	188	202	290	600	503	190	170x200	200x230	14	100	220	180	8-φ18	24												
79	AG80-6520-02204					723	255																				
80	AG80-6520-03004					778	255																				
81	AG80-6520-04004					808	280																				
82	AG80-6520-15002	221	221	290	600	881	305	170x200	200x230	14	125	250	210	8-φ18	26												
83	AG80-6520-18502					808	280																				
84	AG80-6520-22002					881	305																				
85	AG80-6520-30002					942	335																				
86	AG100-8020-03004	220	237	330	680	504	180	170x200	200x230	14	150	285	240	8-φ22	26												
87	AG100-8020-04004					519	190																				
88	AG100-8020-05504					592	210																				
89	AG100-8020-07504					632	210																				
90	AG100-8020-22002	237	237	330	680	824	280	170x200	200x230	14	125	250	210	8-φ18	26												
91	AG100-8020-30002					897	305																				
92	AG100-8020-37002					942	335																				
93	AG100-8020-45002					942	335																				
94	AG125-10020-04004	220	237	330	680	519	190	170x200	200x230	14	150	285	240	8-φ22	26												
95	AG125-10020-05504					592	210																				
96	AG125-10020-07504					632	210																				
97	AG125-10020-11004					739	255																				
98	AG125-10020-30002	237	237	330	680	897	305	170x200	200x230	14	125	250	210	8-φ18	26												
99	AG125-10020-37002					897	305																				
100	AG125-10020-45002					942	335																				
101	AG125-10020-55002					1041	370																				
102	AG125-10020-75002	271	271	360	740	1116	410	170x200	200x230	14	150	285	240	8-φ22	26												
103	AG150-12520-07504					632	210																				
104	AG150-12520-11004					739	255																				
105	AG150-12520-55002					1041	370																				
106	AG150-12520-75002	271	271	360	740	1116	410	170x200	200x230	14	150	285	240	8-φ22	26												
107	AG150-12520-90002					1166	410																				
108	AG200-15020-11004					786	255																				
109	AG200-15020-15004					821	255																				
110	AG200-15020-18504	280	261	400	840	851	280	170x200	200x230	14	200	340	295	12-φ22	26												
111	AG50-3226-02204					498	180																				
112	AG50-3226-03004					118	173									230	470	733	255	170x200	200x230	14	50	165	125	4-φ18	20
113	AG50-3226-11002																	733	255								
114	AG50-3226-15002	788	180																								
115	AG50-3226-18502	788	180																								
116	AG65-4026-02204	138	174	260	520	498	180	170x200	200x230	14	65	185	145	4-φ18	20												
117	AG65-4026-03004					733	255																				
118	AG65-4026-11002					788	180																				
119	AG65-4026-15002					788	180																				
120	AG65-4026-18502	197	197	260	520	818	280	170x200	200x230	14	65	185	145	4-φ18	20												
121	AG65-4026-22002					818	280																				
122	AG65-5026-02204					818	280																				
123	AG65-5026-03004					818	280																				
124	AG65-5026-04004	229	229	260	520	512	190	170x200	200x230	14	65	185	145	4-φ18	20												
125	AG65-5026-05504					567	210																				
126	AG65-5026-18502					788	255																				
127	AG65-5026-22002					819	280																				
128	AG65-5026-30002	232	232	260	520	892	305	170x200	200x230	14	65	185	145	4-φ18	20												
129	AG65-5026-37002					892	305																				



AG 50Hz Installation Dimensions

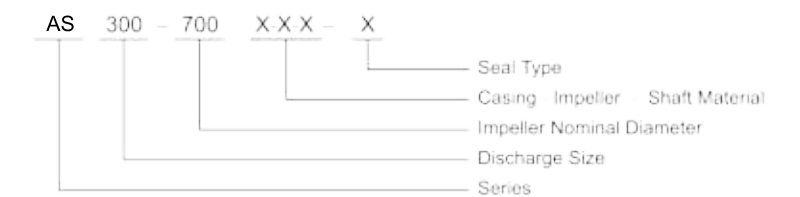
No.	Model	H1	L1	F	G	L	AD	r2mm2	r1mm1	s1	DN	D	K	n-d	b										
130	AG80-6526-04004	168	179	290	590	519	190	170x200	200x230	14	80	200	160	8-φ18	22										
131	AG80-6526-05504		202			592	210																		
132	AG80-6526-07504		237			632																			
133	AG80-6526-30002		271			897	305																		
134	AG80-6526-37002		271			942	335																		
135	AG80-6526-45002		271			1041	370																		
136	AG80-6526-55002	188	202	310	630	592	210	170x200	200x230	18	100	220	180	8-φ18	24										
137	AG100-8026-05504		234			632	210																		
138	AG100-8026-07504		237			739	255																		
139	AG100-8026-11004		271			897	305																		
140	AG100-8026-37002		271			942	335																		
141	AG100-8026-45002		271			1041	370																		
142	AG100-8026-55002	220	238	340	700	743	255	200x250	250x300	18	125	250	210	8-φ18	28										
143	AG100-8026-75002		275			828	280																		
144	AG125-10026-11004		275			1120	410																		
145	AG125-10026-15004		275			1170	410																		
146	AG125-10026-18504		275			1170	410																		
147	AG125-10026-75002		275			1170	410																		
148	AG125-10026-90002	260	238	360	760	822	280	250x300	250x300	18	150	285	240	8-φ22	30										
149	AG150-12526-15004		241			862	305																		
150	AG150-12526-18504		241			892	305																		
151	AG150-12526-22004		241			892	305																		
152	AG150-12526-30004		241			892	305																		
153	AG200-15026-18504		241			892	305																		
154	AG200-15026-22004	280	248	380	830	838	280	250x300	300x350	18	200	340	295	12-φ22	30										
155	AG200-15026-30004		248			878	280																		
156	AG85-4032-03004		179			504	180									504	180	170x200	200x230	14	65	185	145	4-φ18	20
157	AG85-4032-04004		201			519	190									519	190								
158	AG85-4032-05504		231			591	210									591	210								
159	AG85-4032-07504		231			631	210									631	210								
160	AG85-4032-22002	237	661	280	661	280																			
161	AG85-4032-30002	237	897	305	897	305																			
162	AG85-4032-37002	155	290	580		942	335	170x200	200x230	14	80	200	160	8-φ18	22										
163	AG85-4032-45002		201			591	210									591	210								
164	AG85-5032-05504		231			631	210									631	210								
165	AG85-5032-07504		237			736	255									736	255								
166	AG85-5032-11004		237			897	305									897	305								
167	AG85-5032-37002		273			942	335									942	335								
168	AG85-5032-45002	175	273	310	640	1043	370	200x250	250x300	18	100	220	180	8-φ18	24										
169	AG85-5032-55002		273			1043	370									1043	370								
170	AG85-5032-75002		201			1118	410									1118	410								
171	AG80-6532-07504		235			631	210									631	210								
172	AG80-6532-11004		252			740	255									740	255								
173	AG80-6532-15004		252			795	255									795	255								
174	AG80-6532-45002	240	252	310	640	957	335	170x200	200x230	14	80	200	160	8-φ18	22										
175	AG80-6532-55002		272			1042	370									1042	370								
176	AG80-6532-75002		272			1117	410									1117	410								
177	AG80-6532-90002		272			1167	410									1167	410								
178	AG100-8032N-11004		236			740	255									740	255								
179	AG100-8032N-15004		236			795	255									795	255								
180	AG100-8032N-18504	186	236	340	700	825	280	200x250	250x300	18	100	220	180	8-φ18	24										
181	AG100-8032N-75002		272			1117	410									1117	410								
182	AG100-8032N-90002		272			1167	410									1167	410								
183	AG125-10032-15004		235			795	255									795	255								
184	AG125-10032-18504		235			825	280									825	280								
185	AG125-10032-22004		237			865	280									865	280								
186	AG125-10032-30004	260	237	360	740	897	305	200x250	250x300	18	125	250	210	8-φ18	28										
187	AG150-12532-15004		237			897	305									897	305								
188	AG150-12532-18504		237			897	305									897	305								
189	AG150-12532-22004		237			897	305									897	305								
190	AG150-12532-30004		237			897	305									897	305								
191	AG150-12532-37004		237			897	305									897	305								
192	AG200-15032-30004	300	249	400	895	809	255	340x340	420x420	18	150	285	240	8-φ22	30										
193	AG150-12532-75002		284			964	335									964	335								
194	AG200-15032-37004		250			910	305									910	305								
195	AG200-15032-45004		250			965	335									965	335								
196	AG200-15032-55004		285			990	335									990	335								
197	AG200-15032-75004		285			1055	370									1055	370								



Description & Features

ALLFLO AS series split casing pumps are designed with double suction. This kind of pumps are of high flow rate, high efficiency, stable operation, low noise and long service life, easy to install and maintain. Widely used in plant, mine, city water supply, irrigation, HVAC and vessel industry.

Model Instruction:



Material Code

C	Cast Iron	S304	ASTM 304
Q	Ductile Iron	S316	ASTM 316
B	Bronze		Seal Type
S	ASTM 420	M	Mechanical Seal
4S	ASTM 1045	P	Gland Packing

Design & Structure

Design	DIN Standard
Structure	Single Stage Double Suction Split Casing
DN (mm)	80 - 350
Flange	ISO7005.2 DIN2501 PN16 GB / T 17241.6 PN1.6

Material

Part	Standard Material	Options on request
Casing	Cast Iron	Ductile Iron
Impeller	Bronze	Cast Iron
Shaft	ASTM1045	ASTM304 / ASTM316 / ASTM420
Shaft Seal	Mechanical Seal	Gland Packing

Operating Data

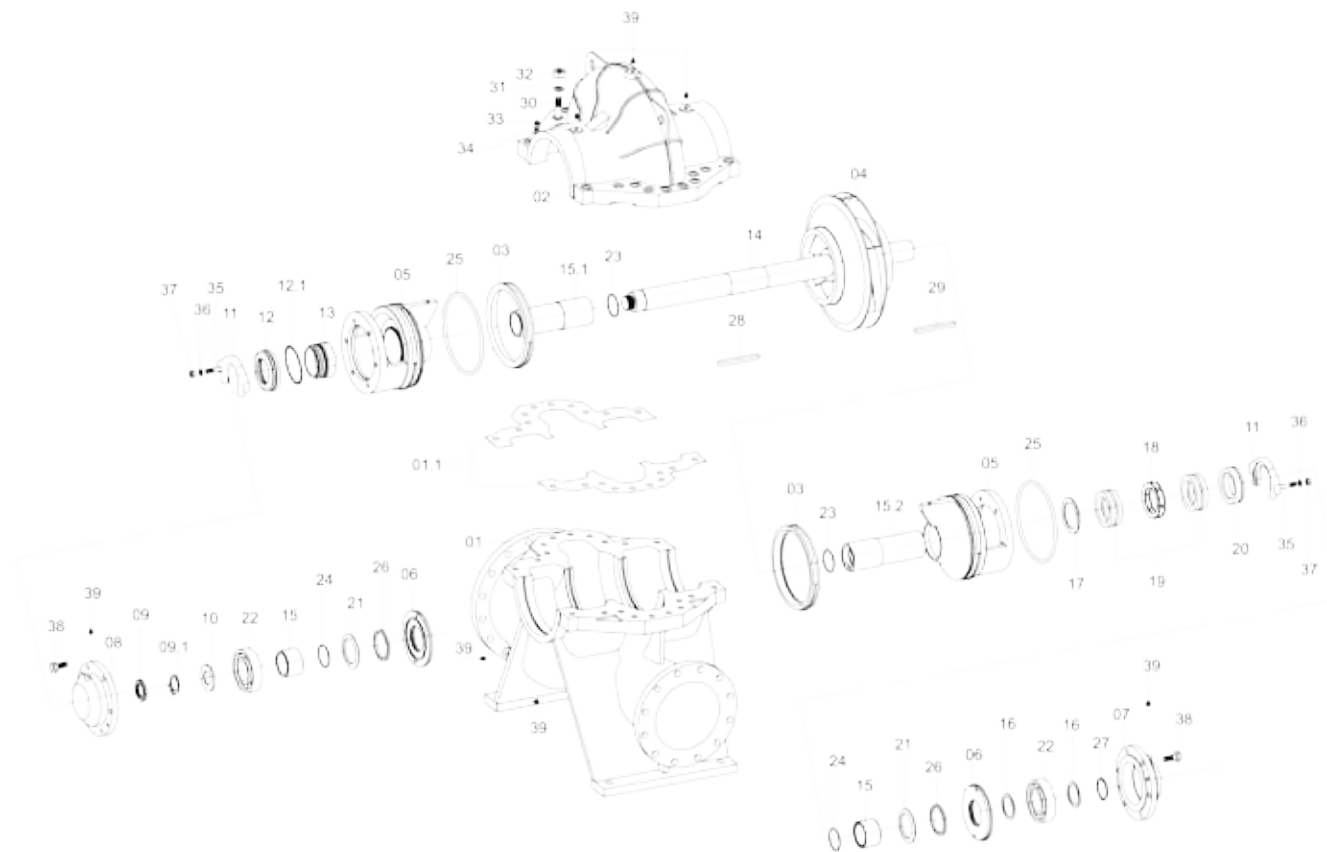
Flow Rate(Q)	2-1050 l/s
Head(H)	190 m
Speed	1480 or 2980 rpm (50Hz) / 1750 or 3500 rpm (60Hz)
Max Temperature	105 °C
Working Pressure	Up to 2.5 MPa on special request
Conveying Medium	Clean water or liquids similar to clean water in physical property

Applications

- Water Plant
- Power Plant
- Municipal Water Supply
- Irrigation
- Fire Fighting System
- Industrial water supply system
- HVAC and Cooling Tower
- Vessel Industry



AS Series Explode View & List of Parts

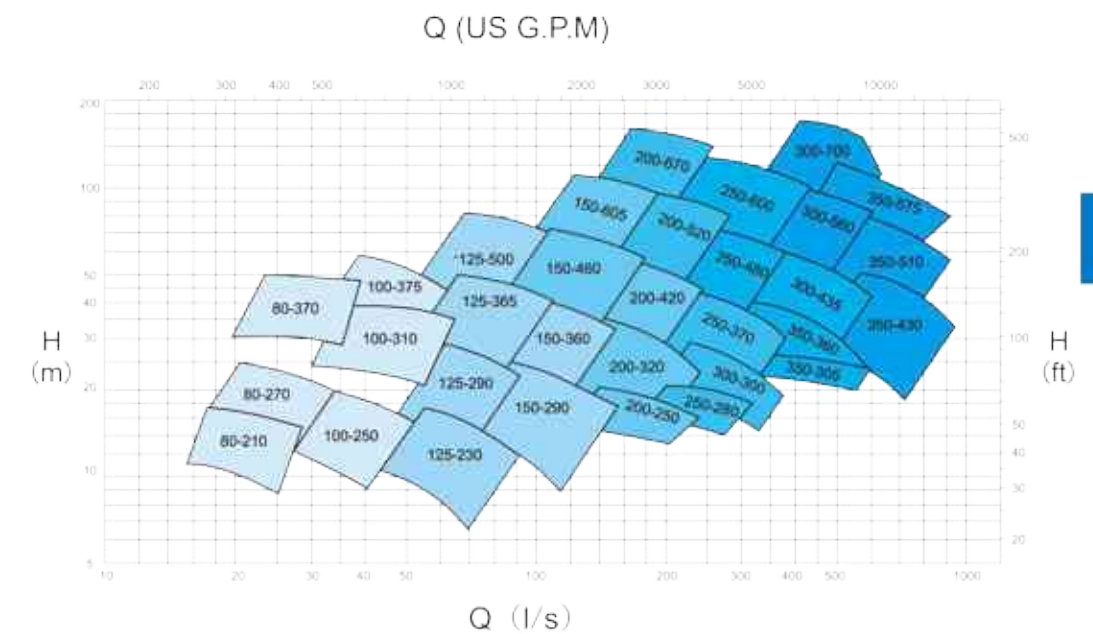
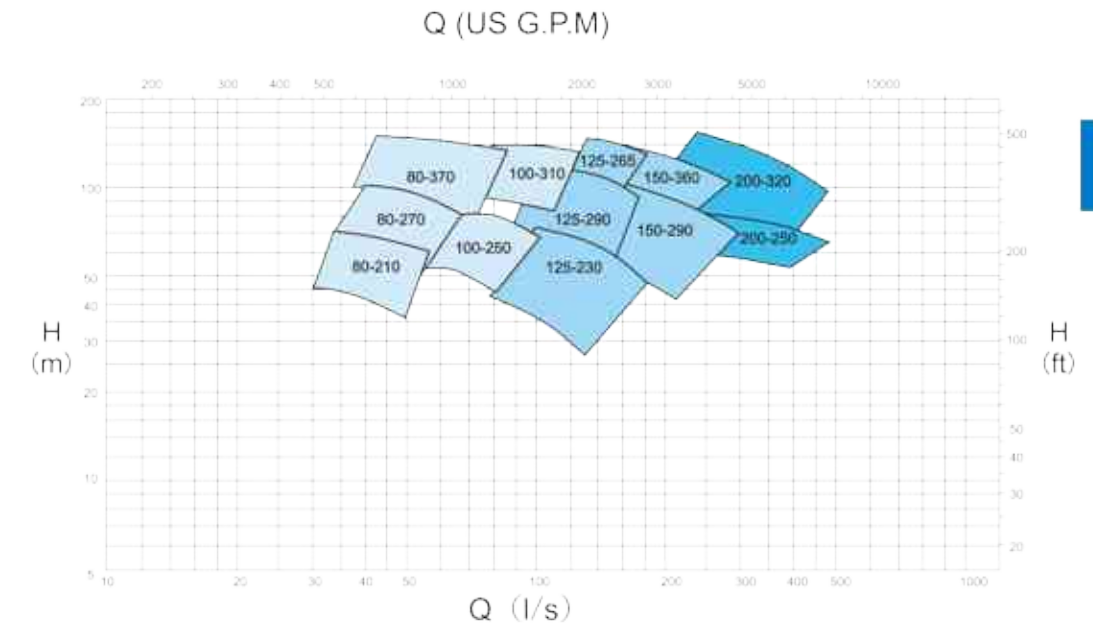


Code	Part Name
01	Casing-Bottom
01.1	Casing Gasket
02	Casing-Top
03	Wear Ring
04	Impeller
05	Seal Frame
06	Bearing Cover
07	Bearing Frame-Driver End
08	Bearing Frame-Non-driver End
09	Screw Nut
09.1	Lock Washer
10	Bearing Plate
11	Seal Plate
12	Seal Cover
12.1	Seal Cover Gasket

Code	Part Name
13	Mech. Seal
14	Shaft
15	Shaft Sleeve-Short
15.1	Shaft Sleeve
15.2	Packing Shaft Sleeve
16	Bearing Seal Ring
17	Packing Seal Plate
18	Lantern Ring
19	Gland Packing
20	Packing Cover
21	Slinger
22	Ball Bearing
23	O-ring
24	O-ring
25	O-ring

Code	Part Name
26	Felting
27	External Circlips
28	Key
29	Key
30	Screw Bolt
31	Spring Washer
32	Screw Nut
33	Pin
34	Screw Nut
35	Screw Bolt
36	Flat Washer
37	Screw Nut
38	Screw Bolt
39	Plug

Field Chart AS series (50Hz)





○ Description & Features

ALLFLO AJ series are self-priming, solids handling, resistant to abrasion. This pumps can handle liquids up to a viscosity of about 50 mm²/s. They are designed with the advanced device Maintenance Hole and Wear Plate, easy to clean and flush. AJ pumps have wide applications in industry, marine and waste treatment.

○ Model Instruction:



○ Material Code

C	Cast Iron	45	ASTM 1045
Q	Ductile Iron	S304	ASTM 304
B	Bronze	S316	ASTM 316
S	ASTM 420	M	Mechanical Seal

○ Design & Structure

Design	Performance and Dimensions referring to the European standard
Structure	Semi open impeller, Single Suction, Self priming, Maintenance Hole, Wear Plate.
DN (mm)	40 - 200
Flange	Pump casings are casted with flanges. Screw flange for discharge size > 100 mm.

○ Material

Part	Standard Material	Options on request
Casing	Cast Iron	Ductile Iron
Impeller	Ductile Iron	Bronze / ASTM304 / ASTM316
Wear Plate	Cast Iron	Bronze / ASTM304 / ASTM316
Shaft	ASTM1045	ASTM304 / ASTM316 / ASTM420
Shaft Seal	Mechanical Seal	----

○ Operating Data

Flow Rate(Q)	2-130 l/s
Head(H)	4-60 m
Speed	1450-3500 rpm; lower speed on request
Max Temperature	105 °C
Working Pressure	0.6 MPa
Max Solids Size	76 mm
Conveying Medium	Neutral, acid or alkali clean or dirty liquids, containing sand, mud or solids in suspension



○ Applications

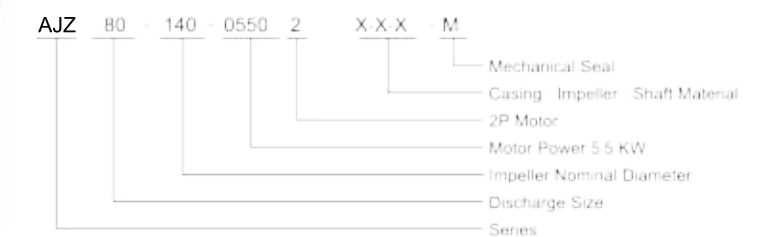
- Waste Water Treatment Plant
- Portable Emergency Fire Fighting
- Marine - Ballasting & Bilge
- Liquid Transfer: clean or dirty water, mixed liquids, abrasive or corrosive liquids
- Civil Engineering
- Smoke Scrubbing
- Cooling & Circulation



○ Description & Features

ALLFLO AJZ series are monoblock type of AJ pumps. Motor shaft is plugged into pump shaft to ensure concentricity and shorten the axial length. They are very useful when one or more of the following are required: self-priming, solids handling, resistance to abrasion or corrosion, limited installation space.

○ Model Instruction:



○ Material Code

C	Cast Iron	45	ASTM 1045
Q	Ductile Iron	S304	ASTM 304
B	Bronze	S316	ASTM 316
S	ASTM 420	M	Mechanical Seal

○ Design & Structure

Design	Performance and Dimensions referring to the European standard
Structure	Semi open impeller, Close coupled, Self priming, Maintenance Hole, Wear Plate.
DN (mm)	40 - 100
Flange	Pump casings are casted with flanges. Screw flange for discharge size > 100 mm.

○ Material

Part	Standard Material	Options on request
Casing	Cast Iron	Ductile Iron
Impeller	Ductile Iron	Bronze / ASTM304 / ASTM316
Wear Plate	Cast Iron	Bronze / ASTM304 / ASTM316
Shaft	ASTM1045	ASTM304 / ASTM316 / ASTM420
Shaft Seal	Mechanical Seal	----

○ Operating Data

Flow Rate(Q)	2-53 l/s
Head(H)	4-40 m
Speed	1450-3500 rpm; lower speed on request
Max Temperature	105 °C
Working Pressure	0.6 MPa
Max Solids Size	50 mm
Conveying Medium	Neutral, acid or alkali clean or dirty liquids, containing sand, mud or solids in suspension

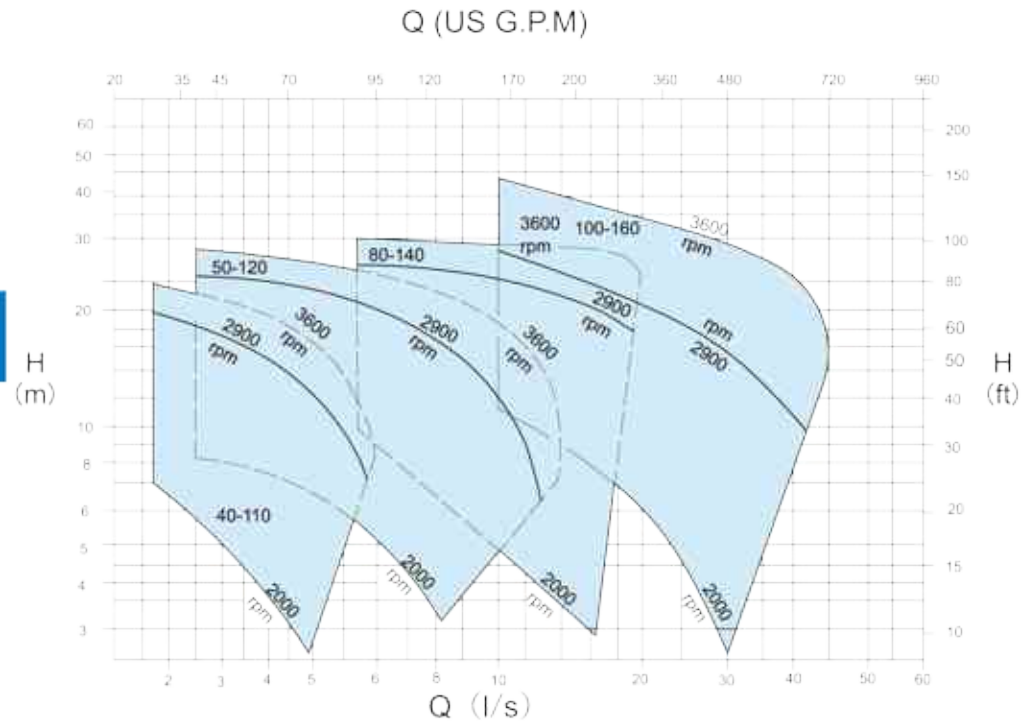


○ Applications

- Waste Water Treatment Plant
- Portable Emergency Fire Fighting
- Marine - Ballasting & Bilge
- Liquid Transfer: clean or dirty water, mixed liquids, abrasive or corrosive liquids
- Civil Engineering
- Smoke Scrubbing
- Cooling & Circulation

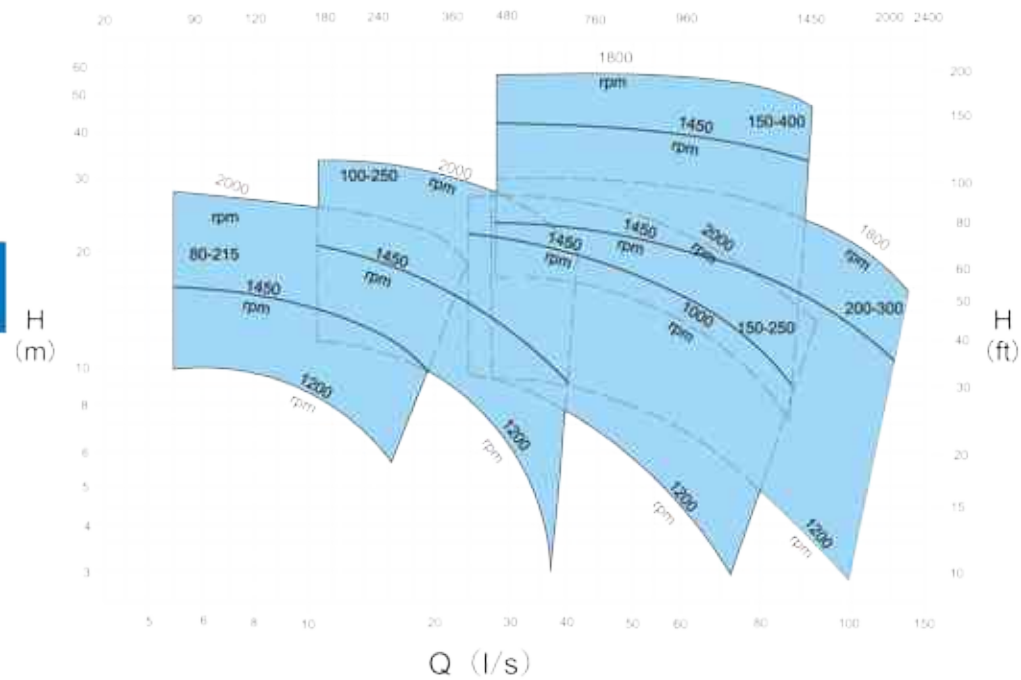


Field Chart AJ series



2 Poles

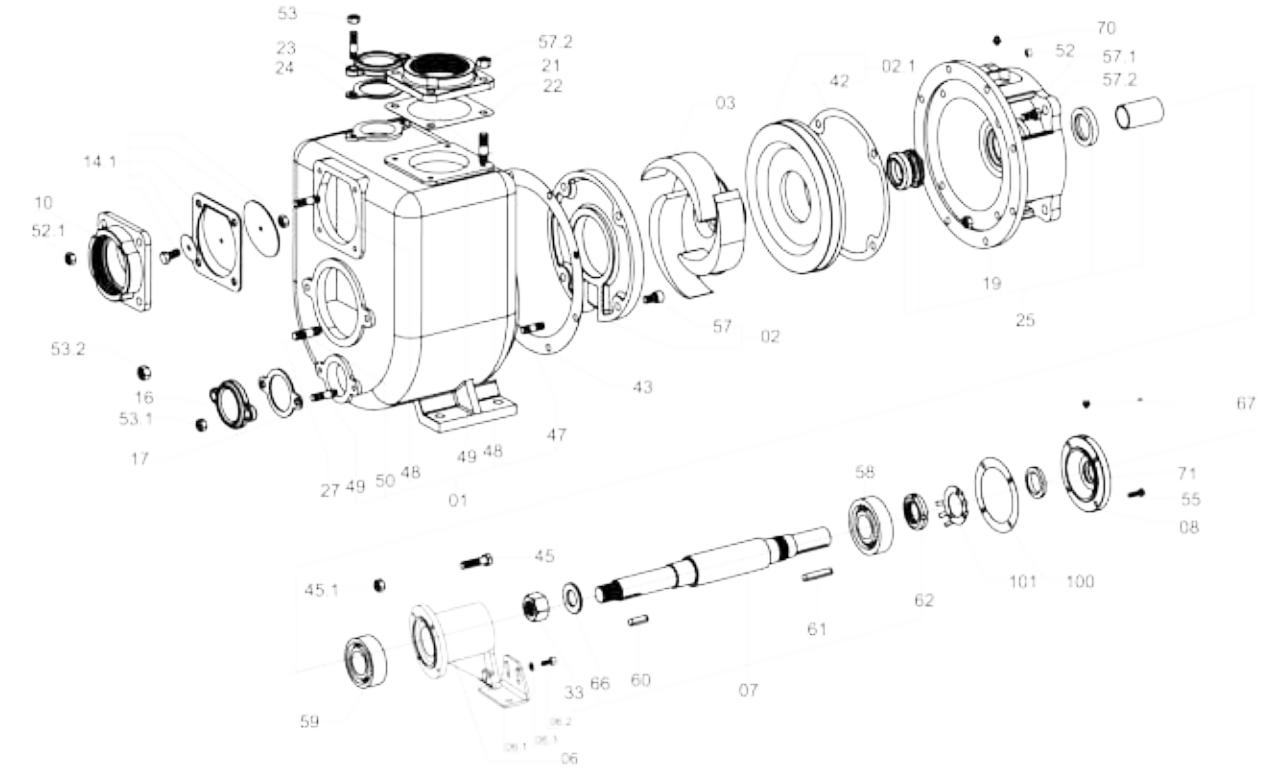
Field Chart AJ series



4 Poles

Kindly be noted that 2 poles and 4 poles are referring to nominal speed.

AJ Series Explode View & List of Parts



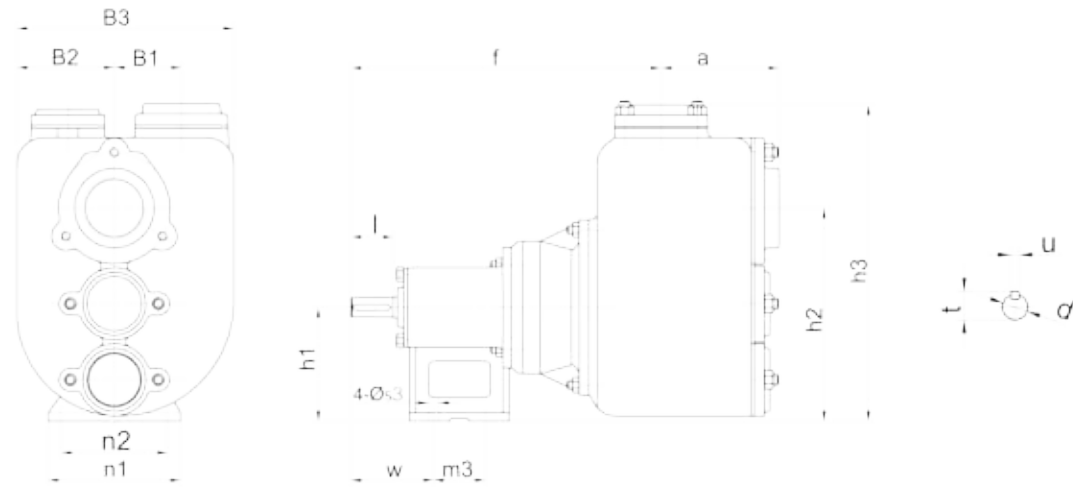
Code	Name
01	Casing
02	Wear Plate-Front
02.1	Wear Plate-Back
03	Impeller
06	Bearing Frame
06.1	Support Foot
06.2	Bolt
06.3	Flat Washer
07	Shaft
08	Bearing Cover
10	Suction Flange
	Rubber Check
	Front Plate - Check Valve
14.1	Back Plate - Check Valve
	Bolt
	Nut
16	Inspection Cover
17	Inspection Cover Gasket

Code	Name
19	Pump Cover
21	Discharge Flange
22	Discharge Gasket
23	Inspection Cover
24	Inspection Cover Gasket
	Shaft Sleeve
25	Oil Seal
	Mechanical Seal
33	Impeller Nut
42	Back Wear Plate Gasket
43	Casing Gasket
45	Bolt
45.1	Nut
47	Stud
48	Stud
49	Stud
50	Stud
52	Nut

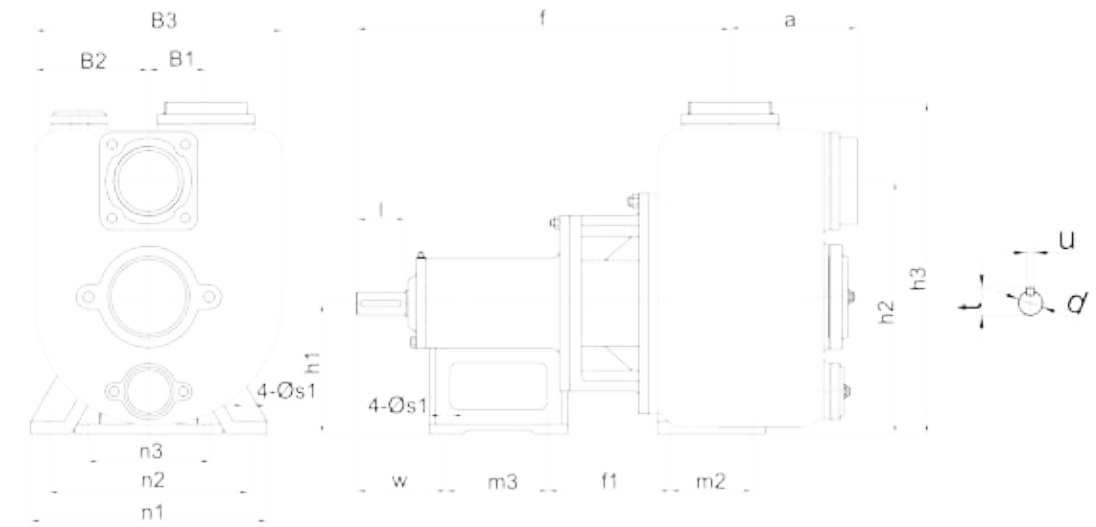
Code	Name
53	Nut
53.1	Nut
55	Bolt
57	Screw
57.1	Stud
57.2	Nut
58	Ball Bearing
59	Ball Bearing
60	Key (Impeller)
61	Key (Shaft)
62	Bearing Lock Nut
66	Flat Washer
67	Grease Nipple
70	Grease Nipple
100	Bearing Lock Nut Washer
101	Bearing Lock Nut Washer



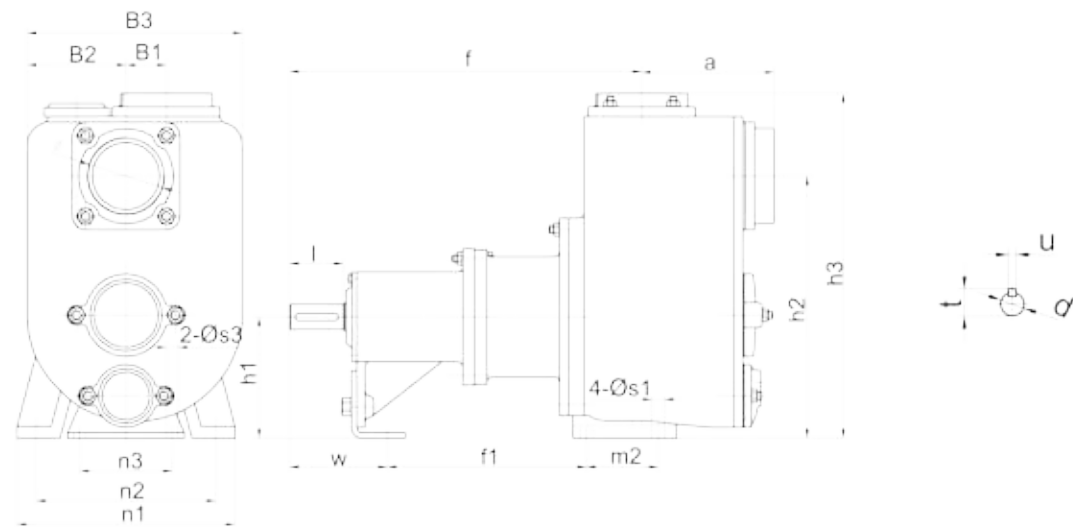
○ AJ Installation Dimensions



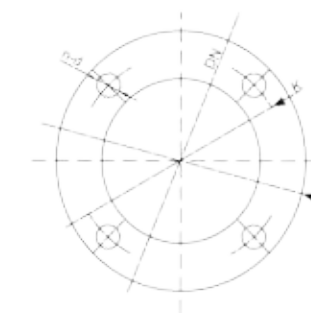
Model	B1	B2	B3	h1	h2	h3	n3	n2	n1	f	a	l	w	m3	t	u	d	s1	s3
AJ40-110	30	80	173	90	163	237	80	102	102	263	75	40	70	50	21.5	8	19	10	
AJ50-120	30	94	210	110	206	326	103	128	128	300	114	40	80	50	21.5	8	19	12	
AJ100-160	37	150	300	160	341	462	150	182	182	442	180	60	110	125	31	8	28	14	



Model	B1	B2	B3	h1	h2	h3	n3	n2	n1	f	a	l	w	m3	f1	m2	t	u	d	s1	s3
AJ80-215	70	139	302	160	310	410	150	245	290	458	155	60	110	125	150	100	31	8	28	14	14



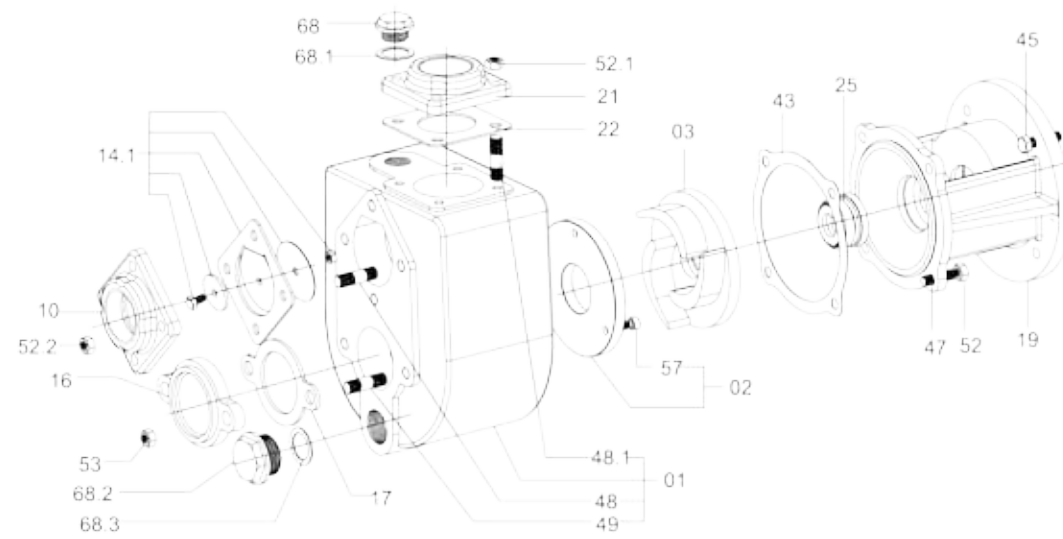
Model	B1	B2	B3	h1	h2	h3	n3	n2	n1	f	a	l	w	f1	m2	t	u	d	s1	s3
AJ80-140	45	110	240	135	292	384	90	200	245	392	148	60	109	222	80	31	8	28	14	14
AJ100-250	160	179	420	200	350	485	110	295	340	469	275	80	137.5	347	95	35	10	32	14	15
AJ150-250	90	220	480	250	454	609	110	350	410	565.5	291.5	80	137.5	322	170	35	10	32	18	15
AJ150-400	280	280	700	350	645	801	150	450	510	700	374	110	180	477.5	200	59	16	55	18	18
AJ200-300	75	288	575	315	535	720	150	450	510	822	246	110	165	498.5	200	45	12	42	18	18



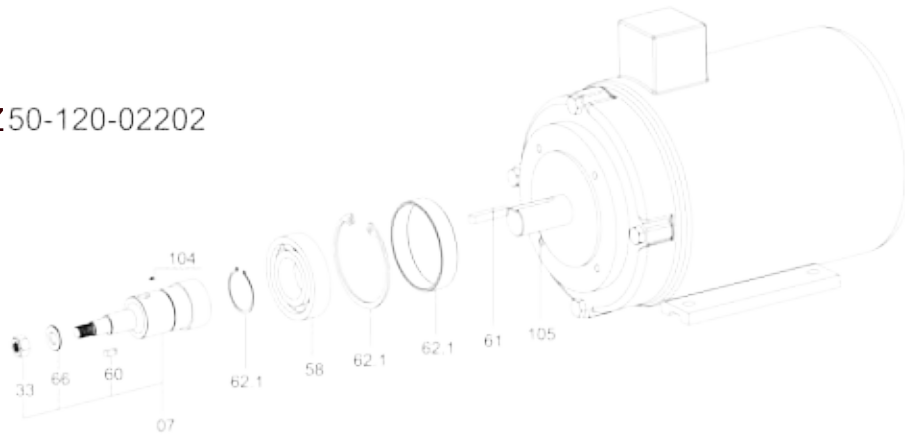
Model	Inlet Flange(mm)				Outlet Flange(mm)			
	DN	D	K	n-d	DN	D	K	n-d
AJ40-110	RP1 1/2	-	-	-	RP1 1/2	-	-	-
AJ50-120	Rp2	-	-	-	RP2	-	-	-
AJ80-140	RP3	-	-	-	RP3	-	-	-
AJ80-215	RP3	-	-	-	RP3	-	-	-
AJ100-160	RP4	-	-	-	RP4	-	-	-
AJ100-250	RP4	-	-	-	RP4	-	-	-
AJ150-250	150	276	240	6-Φ18	150	276	240	6-Φ18
AJ150-400	150	276	240	6-Φ18	150	276	240	6-Φ18
AJ200-300	200	320	280	8-Φ18	200	320	280	8-Φ18



○ AJZ series Explode View & List of Parts



AJZ50-120-02202



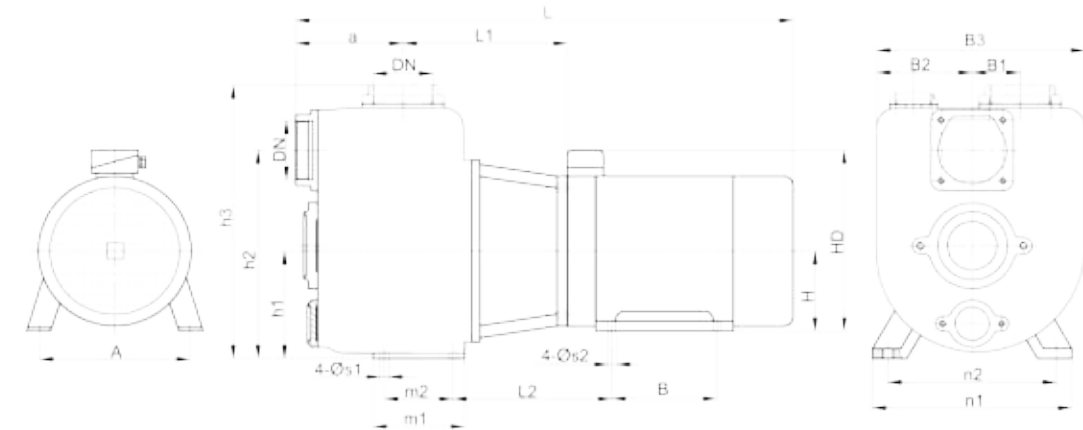
Code	Part Name
01	Casing
02	Wear Plate
03	Impeller
07	Shaft
10	Suction Flange
14.1	Rubber Check
14.1	Check Valve Plate (Front)
14.1	Check Valve Plate (Back)
16	Screw Bolt
16	Screw Nut
17	Inspection Cover
17	Inspection Cover Gasket
19	Adopter

Code	Part Name
21	Discharge Flange
22	Discharge Gasket
23	Inspection Cover
24	Inspection Cover Gasket
25	Mech Seal
26	Inspection Cover
27	Inspection Cover Gasket
33	Impeller Nut
43	Casing Cover Gasket
45	Screw Bolt
47	Double-screw Stud
48	Double-screw Stud
48.1	Double-screw Stud
49	Double-screw Stud

Code	Part Name
52	Screw Nut
53	Screw Nut
57	Screw
58	Ball Bearing
60	Key
61	Key
62.1	External Circlip
62.1	Rubber Pad
62.1	Internal Circlip
66	Flat Washer
68	Plug Screw
68.1	O-ring
68.2	Plug Screw
68.3	O-ring
104	Set Screw
105	Motor

Remark: Code 52, 52.1, 52.2 are screw nuts

○ AJZ Installation Dimensions



Model	DN	B1	B2	B3	h1	h2	h3	H	HD	m1	m2	n1	n2	A	B	a	L1	L2	L	s1	s2
AJZ40-110-01102	1 1/2"	30	80	173	95	167.5	242	80	220	-	-	-	-	125	100	75	153.5	-	485	-	10
AJZ40-110-03002	1 1/2"	30	80	173	95	167.5	242	100	270	-	-	-	-	160	140	75	173.5	-	575	-	12
AJZ50-120-02202	2"	36	94	210	105	201	321	90	250	-	-	-	-	140	125	114	185	-	595	-	10
AJZ50-120-05502	2"	36	94	210	105	201	321	132	345	-	-	-	-	216	140	114	216	-	720	-	12
AJZ80-140-04002	3"	45	110	240	135	292	384	112	300	115	80	243	243	190	140	148	202.5	211	690	14	12
AJZ80-140-05502	3"	45	110	240	135	292	384	132	345	115	80	243	243	216	140	148	225.5	253	763	14	12
AJZ80-140-11002	3"	45	110	240	135	292	384	160	420	115	80	243	200	254	210	148	255.5	302	908	14	15
AJZ80-215-04004	3"	70	139	302	160	310	410	112	285	133	100	290	245	190	140	156	239	226	735	14	12
AJZ80-215-07504	3"	70	139	302	160	310	410	132	345	133	100	290	245	216	178	156	258	284	854	14	12
AJZ100-160-15002	4"	37	150	300	160	341	462	160	420	-	-	-	-	254	210	180	283.5	-	969	-	15
AJZ100-160-22002	4"	37	150	300	160	341	482	180	455	-	-	-	-	279	241	180	285.5	-	1056	-	15
AJZ100-250-07504	4"	160	179	420	200	355	485	132	325	145	95	340	295	216	178	275	226.5	331.5	932	14	12
AJZ100-250-15004	4"	160	179	420	200	355	485	160	420	145	95	340	295	254	254	275	262	385.5	1098	14	15

General Catalogue 2012
Technical data is subject to change without notice in advance.